

# Product Catalogue

September

# 2002

WORLD CLASS SECURITY PRODUCTS



[www.era-security.com](http://www.era-security.com)

# World Class Security Products

## from one of the top UK manufacturers

ERA Products are at the technological forefront of household/commercial security product design and manufacture. The range of quality locks and accessories cover all areas of housing including doors, windows, patio doors, garages and child safety. Products are designed and built to last and meet the standards and demands of today.

ERA has been manufacturing and supplying quality security products for over 150 years. Situated in Willenhall in the West Midlands on a 1.5 acre site it is close to all major lines of distribution, which ensures the requirements of customers anywhere in the UK, as well as overseas, can be quickly met.

ERA employs a dedicated staff of over 200 utilising the very latest supply line methods. The manufacturing layout allows quick reaction to specific customer needs. In particular the versatility of a number of highly skilled manufacturing teams means a production line can be changed within minutes to ensure high productivity to meet end-user demand.

The manufacturing plant is almost totally self-sufficient with internal supply plants resulting in a constant and reliable workflow without the need to rely on external suppliers.

As part of the multi-national Laird Group PLC, employing over 5,000 and a turnover in excess of approximately £450 million you can be sure of security when dealing with ERA.

*Secured By Design is a new police initiative to encourage the building industry to adopt crime prevention measures in development design to assist in reducing the opportunity for crime and the fear of crime. Secured By Design is owned by the Association of Chief Police Officers (ACPO), and has the backing of the Home Office Crime Reduction Unit. ERA has successfully applied for recognition by Secured By Design for a number of their products and these are displayed with the Secured By Design motif on literature and packaging.*

*ERA reserves the right to change specifications without notice. The Company gives no guarantee or representation that the goods will in all cases be identical with the illustrations or dimensions specified in such catalogues and literature, drawings or other documents whether due to improvement and modifications to the goods or their specifications that may be made from time to time or arising for any other reason whatsoever.*



## DOOR LOCKS

ERA British Standard Mortice Locks	4
British Standard Invincible Mortice Locks	5
British Standard Pro-Fit Mortice Locks	6
British Standard Euroshield Range	7
Euro Pro-Fit (Non BS)	8
Viscount Range	9
Euro Profile Cylinders	10
Multi-Point Locks	11
SecuStrip - Anti Jemmy Strip	12
2 and 3 Lever Locks	13
Rebated and Bathroom Door Lock	14
Door Knob Sets	15
Push Button Door Locks	16
Codemaster Digital Door Lock	17
Double Locking Nightlatch	18
Front Door Lock, Replacement Cylinder and Pull	19
Traditional Door Lock	20

## DOOR ACCESSORIES

Securichain, Door Viewers, Door Chain, Slide Chain & Door Restrictor	21
Door Security Bolts, Easi-Turn Bolts, Hinge Bolts & Tubular Latches	22

## MULTI FUNCTION LOCKS

Universal Pressbolt, Multi-Purpose Bolt & Patio Door Lock	23
---	----

## EXTERNAL LOCKS - PADLOCKS AND LOCKING BARS

Big 6 Padlock & Fortress Locking Bar	24
Close Shackle & English Padlocks	25
Garage Door Lock	26

## HIGH SECURITY WINDOW LOCKS

Snaplock, Swinglock, Metal Window Lock, Flush Pivot Lock, Dual Screw, Window Bolts / Sash Bolt, Hi-Security Sash Bolt & Sash Lock	27-29
---	-------

## ECONOMY WINDOW LOCKS

Metlock, Transom Lock, Sliding Window Lock, Locking Window Catch, Securistay, Staylock, Staybolt, Locking Casement Stays, Locking Handles	30-33
---	-------

## PVCU WINDOW LOCKS

Sash Jammer, Ventilation Lock	34
-------------------------------	----



### Useful Contact Numbers:

Orders:  
Tel 01922 490000  
Free Order Fax 0800 783 2465  
General Enquiry Fax 01922 490044

### Account Queries:

Tel 01922 490032  
Fax 01922 490048

### Technical Helpline / Marketing:

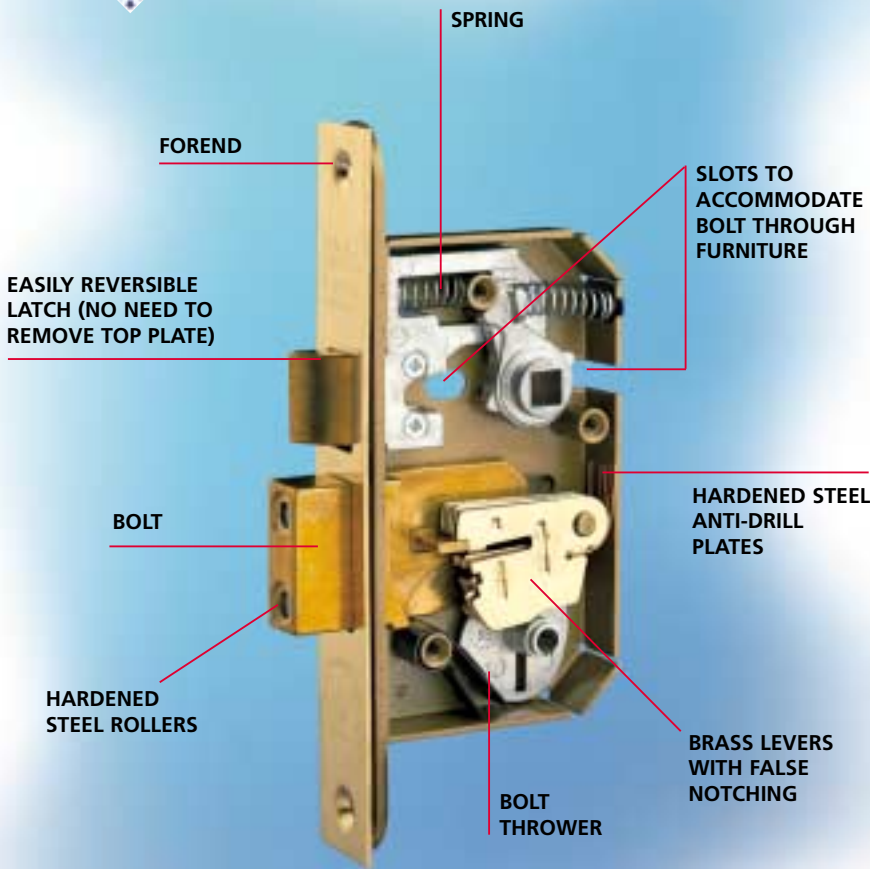
Tel/Fax 0345 413163

### Regional Contacts:

North 01663 719461  
Midlands 01902 332618  
South East 01708 456157  
South West / Wales 01242 231640  
Scotland 07831 649408

Web site [www.era-security.com](http://www.era-security.com)  
e.mail [info@era-security.com](mailto:info@era-security.com)

# ERA British Standard Mortice Locks



ERA British Standard Mortice Locks are manufactured to conform to the BSI Specification for Thief Resistant Locks - BS3621:1998. This standard was created by a Standards Committee comprising of representatives from the police, government departments, local authorities, architects, window and door manufacturers and locksmiths. It provides a reference for type-testing and certification of thief resistant locks.

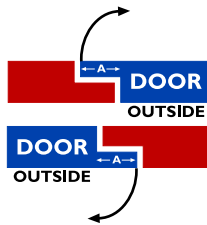
Before the standard is awarded to a mechanical key operated lock, designed for fixing to hinged or sliding doors, it has to be passed by an independent panel of locksmith experts.

Once a lock has been accredited with the BS3621:1998 standard, it is recognised as giving the maximum protection generally available to the majority of both domestic and commercial premises. Many insurance companies recognise this and reduce premiums accordingly, whilst some will provide cover only if such locks are fitted.

For a lock to be awarded BS3621:1998 it has to achieve the following criteria;

- At least 1000 different key patterns (differs) and 999 different locks must be made before any key pattern can be used again.
- There must be at least 5 moveable levers used. If fewer than 9 levers are fitted there must be additional anti-picking precautions incorporated (such as false notching).
- If a key can be used on both sides of a door, both sides must offer equal security.
- Handles and knobs must not operate the bolt when deadlocked.
- Deadlocking must be effective before the key can be removed.
- The bolt must project not less than 14mm when locked.
- Both sides of the lock body must be protected by anti-drilling plates.
- Vulnerable fixing screws on all parts of the lock, cylinder and staple must be concealed or inoperable when the door is locked.

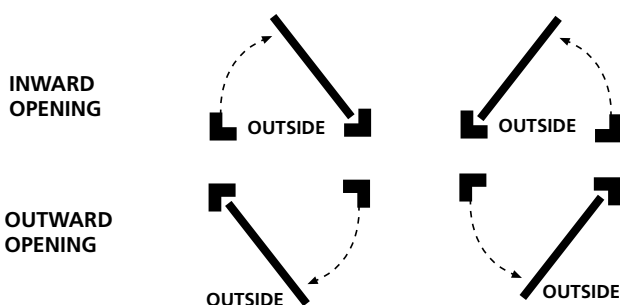
## CROSS SECTION OF REBATED DOORS



## REBATE SETS

For French doors, when a Mortice Deadlock or Sashlock is fitted, a Rebate Set should also be fitted to ensure secure closing. The measurement "A" must be either 1/2" or 1" whereupon the appropriate sized rebate set should be used. Rebate Sets are supplied non-handed for use on either left or right handed fitment.

## HANDING OF LOCKS



## HANDING OF SASHLOCKS

Hinged doors can open in one of four ways and this will determine whether the door is left or right handed.

All ERA Mortice Sashlocks are supplied handed left. Instructions are supplied for alteration to right handed fitment.

# BS Invincible Mortice Locks

## SPECIFICATION

The ERA Invincible Range of British Standard 5 Lever Locks are certified to BS3621:1998 and fully meet insurance company requirements for thief resistance. They are recommended by insurance companies and the police.

The **Invincible Sash Lock** features a latch which can be easily reversed without having to remove the cover. The advanced design of this lock is such that critical dimensions for fixing such as backset and hole centres are similar to existing ordinary sash locks allowing easy replacement with minimum cutting and drilling of doors.

The **Invincible Dead Lock** features an in-line arrangement of the bolt, bolt stump and levers when the bolt is in the locked position. This is a continuous and near-impregnable line of metal to resist jemmying. Hardened steel rollers in the bolt resist hacksawing.

The keys, manufactured from manganese bronze, have over 1,000 variations for added security. All brass levers have false notching to resist lock picking.

**ERA Invincible Rebate Sets** are available in two sizes - 12.7mm (1/2") and 25.4mm (1") - with a choice of finishes to match forends. Sash Lock Rebate Sets are non-handed to reduce stock-holding. Full fitting instructions are supplied.



5 LEVER SASH LOCK



5 LEVER DEAD LOCK

## ORDERING DETAILS

<b>Sash Lock</b>	
Brass 64mm (2 1/2")	210-31
Satin 64mm (2 1/2")	210-51
Brass 76mm (3")	310-31
Satin 76mm (3")	310-51
<b>Dead Lock</b>	
Brass 64mm (2 1/2")	208-31
Satin 64mm (2 1/2")	208-51
Brass 76mm (3")	308-31
Satin 76mm (3")	308-51
<b>Spare Keys - Manganese Bronze</b>	
Cut key	508-06
Key blank	608-06
<i>Above locks are suitable for sprung furniture only</i>	
<b>Sash Lock Rebate Sets</b>	
Brass 12.7mm (1/2") Rebate	402-31
Satin 12.7mm (1/2") Rebate	402-51
Brass 25.4mm (1") Rebate	404-31
Satin 25.4mm (1") Rebate	404-51
<b>Dead Lock Rebate Sets for Invincible Locks</b>	
Brass 12.7mm (1/2") Rebate	400-31
Satin 12.7mm (1/2") Rebate	400-51
Brass 25.4mm (1") Rebate	401-31
Satin 25.4mm (1") Rebate	401-51

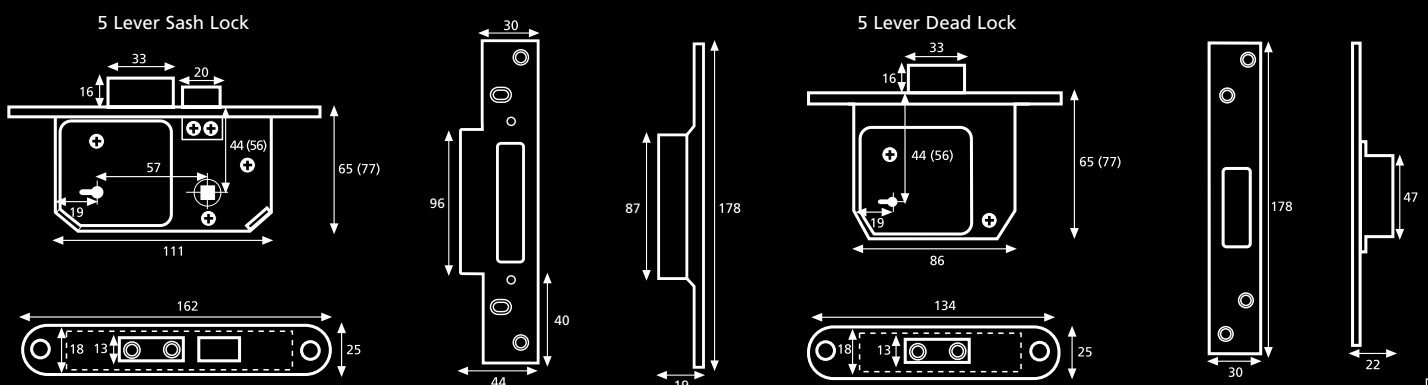
### Packaging

The locks are individually boxed complete with full fitting instructions. They are also available clam packed.

### Contents

**Sash Lock** - Lock, forend, striker, 2 keys, fixings and instructions.

**Dead Lock** - Lock, forend, striker, escutcheon set, 2 keys, fixings and instructions.



All dimensions in mm. Numbers in brackets relate to 3" version of lock

# BS Pro-Fit Mortice Locks



**SASH LOCK**



**DEAD LOCK**



## SPECIFICATION

The **ERA Pro-Fit Range** of British Standard 5 Lever Locks are certified to BS3621:1998 and fully meet insurance company requirements for thief resistance. They are recommended by insurance companies and the police.

The **Pro-Fit Sash Lock** features a latch which can be easily reversed without having to remove the cover.

Both the **Pro-Fit Sash Lock** and the **Pro-Fit Deadlock** have hardened steel plates to resist drilling, and hardened steel rollers in the deadbolt to resist hacksawing.

The keys, manufactured from manganese bronze, have over 1,000 variations for added security. All brass levers have false notching to resist lock picking.

**ERA Pro-Fit Rebate Sets** are available in two sizes - 12.7mm (1/2") and 25.4mm (1") - with a choice of finishes to match forends. Sash Lock Rebate Sets are non-handed to reduce stock-holding. Full fitting instructions are supplied.

## ORDERING DETAILS

<b>Sash Lock</b>	
Brass 64mm (2 1/2")	221-31
Satin 64mm (2 1/2")	221-51
Brass 76mm (3")	321-31
Satin 76mm (3")	321-51
<b>Dead Lock</b>	
Brass 64mm (2 1/2")	220-31
Satin 64mm (2 1/2")	220-51
Brass 76mm (3")	320-31
Satin 76mm (3")	320-51
<b>Sash Lock Rebate Sets</b>	
Brass 12.7mm (1/2") Rebate	436-31
Satin 12.7mm (1/2") Rebate	436-51
Brass 25.4mm (1") Rebate	437-31
Satin 25.4mm (1") Rebate	437-51
<b>Dead Lock Rebate Sets</b>	
Brass 12.7mm (1/2") Rebate	434-31
Satin 12.7mm (1/2") Rebate	434-51
Brass 25.4mm (1") Rebate	435-31
Satin 25.4mm (1") Rebate	435-51
<b>Spare Keys</b>	
Pro-Fit cut key	509-06
Pro-Fit blank key	609-06

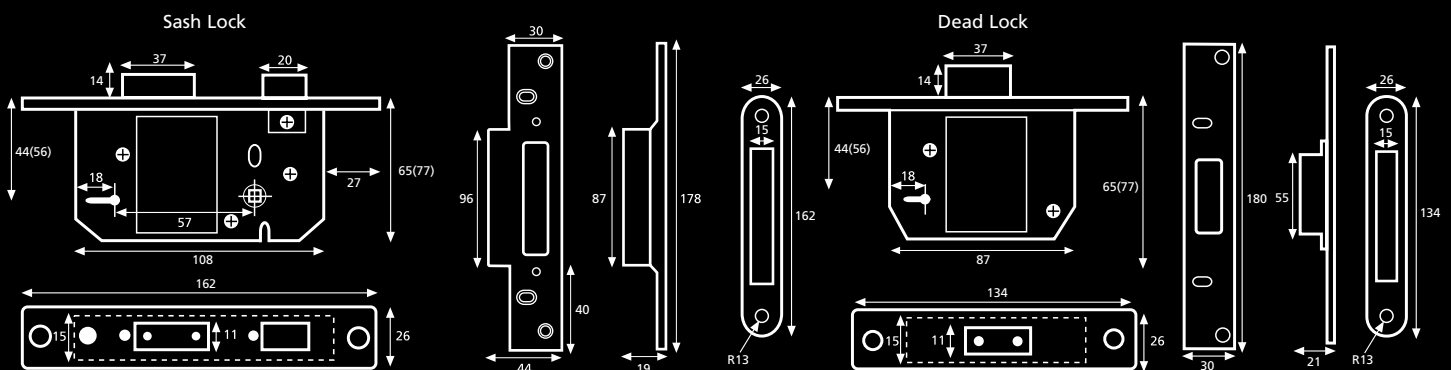
### Packaging

The locks are individually boxed complete with full fitting instructions.

### Contents

**Sash Lock** - Lock, forend, striker, 2 keys, fixings and instructions.

**Dead Lock** - Lock, forend, striker, escutcheon set, 2 keys, fixings and instructions.



All dimensions in mm. Numbers in brackets relate to 3" version of lock

# BS Euroshield Range

## SPECIFICATION

The ERA British Standard Euroshield is certified to BS3621:1998, fully meeting insurance company requirements and recommended by the police.

The BS Euroshield features a High Security 6 pin Euro Profile Double Cylinder resistant against picking or drill attack. Bolt through heavy-duty security roses protect the cylinder.

The BS Euroshield Sash Lock features an easily reversible latch bolt. The deadbolt has hardened steel rollers to resist hacksawing.

The BS Euroshield is available as either complete with cylinder or as case only (this is not certified to BS3621:1998).

ERA BS Euroshield Rebate Sets are available in two sizes - 12.7mm (1/2") and 25.4mm (1") with a choice of finishes to match forends. Sash Lock Rebate Sets are non-handed to reduce stock holding. Full fitting instructions are supplied.



SASH LOCK



DEAD LOCK



## ORDERING DETAILS

<b>Sash Lock</b>	
Brass 64mm (2 1/2")	250-31
Satin 64mm (2 1/2")	250-51
Brass 76mm (3")	350-31
Satin 76mm (3")	350-51
<b>Dead Lock</b>	
Brass 64mm (2 1/2")	258-31
Satin 64mm (2 1/2")	258-51
Brass 76mm (3")	358-31
Satin 76mm (3")	358-51
<i>For 'CASE ONLY' - please add 'CASE' on end of above codes. Note: Does not conform to BS: 3621:1980. Above locks are suitable for sprung furniture only</i>	

<b>Sash Lock Rebate Sets</b>	
Brass 12.7mm (1/2") Rebate	402-31
Satin 12.7mm (1/2") Rebate	402-51
Brass 25.4mm (1") Rebate	404-31
Satin 25.4mm (1") Rebate	404-51
<b>Dead Lock Rebate Sets</b>	
Brass 12.7mm (1/2") Rebate	400-31
Satin 12.7mm (1/2") Rebate	400-51
Brass 25.4mm (1") Rebate	401-31
Satin 25.4mm (1") Rebate	401-51

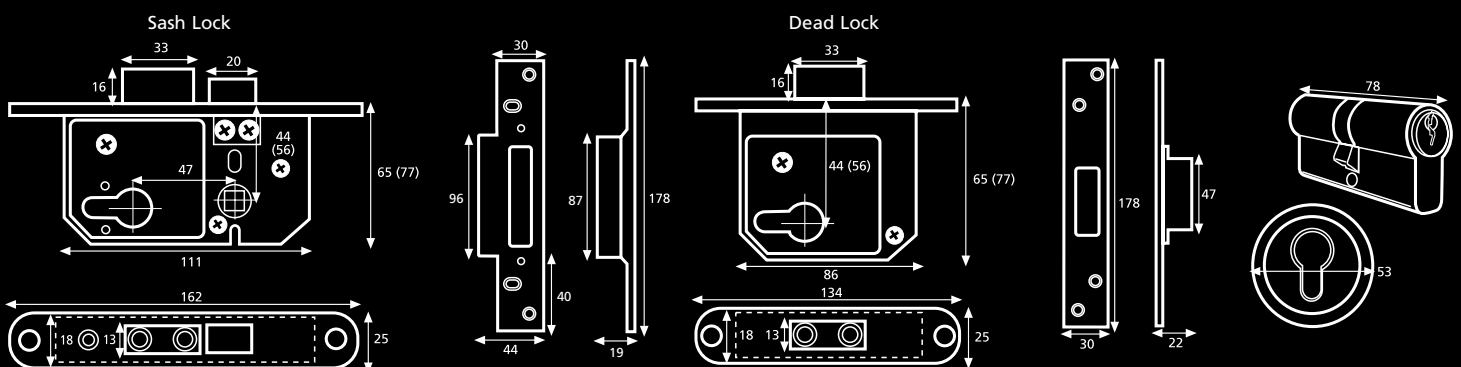
### Packaging

The locks are individually boxed complete with full fitting instructions. They are also available clam packed - except 'CASE ONLY'.

### Contents

**Sash Lock** - Lock, forend, striker, 3 keys, fixings and instructions.

**Dead Lock** - Lock, forend, striker, escutcheon set, 3 keys, fixings and instructions.



All dimensions in mm. Numbers in brackets relate to 3" version of lock

# Euro Pro-Fit (Non BS)

## SASH LOCK



SELECTION OF EURO PROFILE CYLINDERS

### Packaging

The locks are individually boxed complete with full fitting instructions.

### Contents

**Sash Lock** - forend, box, striker, fixings and instructions.

**Dead Lock** - forend, box, striker, fixings and instructions.

## SPECIFICATION

The ERA Euro Pro-Fit offers total versatility allowing for most Euro Profile locking cylinders.

Available as both Sash Lock and Dead Lock, they are tested to meet BS5872 Category B Standards\*.

They are ideal for replacing most existing door locks with minimal change to existing fittings. The lock has hardened steel rollers in the bolt to resist hacksawing.

The Euro Pro-Fit Sash Lock features an easily reversible latch bolt, making the lock suitable for left or right hinged doors.

Rebate Sets for the Euro Pro-Fit Range are available separately.

\*Only Sash Lock Sashbolt is tested to BS 5872 Category B Standards.

## ORDERING DETAILS

### Sash Lock

Brass 64mm (2½") **226-31**

Brass 76mm (3") **326-31**

Satin 64mm (2½") **226-51**

Satin 76mm (3") **326-51**

### Dead Lock

Brass 64mm (2½") **225-31**

Brass 76mm (3") **325-31**

Satin 64mm (2½") **225-51**

Satin 76mm (3") **325-51**

### Sash Lock Rebate Sets

Brass 12.7mm (½") Rebate **436-31**

Satin 12.7mm (½") Rebate **436-51**

Brass 25.4mm (1") Rebate **437-31**

Satin 25.4mm (1") Rebate **437-51**

### Dead Lock Rebate Sets

Brass 12.7mm (½") Rebate **434-31**

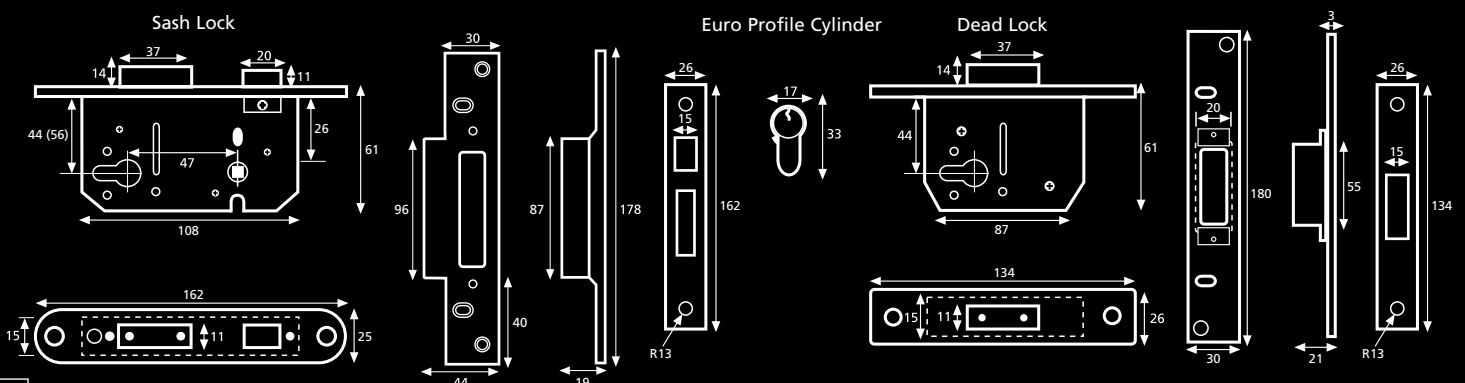
Satin 12.7mm (½") Rebate **434-51**

Brass 25.4mm (1") Rebate **435-31**

Satin 25.4mm (1") Rebate **435-51**

### Euro Profile Cylinders

See page 10 for details.



All dimensions in mm. Numbers in brackets relate to 3" version of lock



# Viscount Range

## SPECIFICATION

The ERA 5 Lever Viscount range of door locks are suitable to replace existing 2 and 3 lever door locks. They are available as both Sash and Dead Locks and are tested to BS 5872 Category B Standards\*. Ideal for the volume user, the Viscount offers long service in demanding situations and is the right choice for replacement or new build projects.

The Viscount is also available as a rebated lock, suitable for rebated French doors.

Numbered keys are available in addition to the 1000 key variations. The latch is easily reversed.

Hardened steel rollers in the bolt resist hacksawing and all brass levers have false notching to resist lock picking.

ERA Viscount Rebate Sets are also available individually, in two sizes - 12.7mm (1/2") and 25.4mm (1"). Sash Lock Rebate Sets are non-handed to reduce stock-holding. Full fitting instructions are supplied.

\*Only Sash Lock Sashbolt is tested to BS 5872 Category B Standards.

## ORDERING DETAILS

<b>Sash Lock</b>	
Brass 64mm (2 1/2")	202-31
Brass 76mm (3")	302-31
<b>Dead Lock</b>	
Brass 64mm (2 1/2")	201-31
Brass 76mm (3")	301-31
<b>Rebated Sash Lock</b>	
Brass 64mm (2 1/2")	217-32
<b>Spare Keys</b>	
Cut key	509-56
Key blank	609-56
<b>Sash Lock Rebate Sets</b>	
Brass 12.7mm (1/2") Rebate	436-31
Brass 25.4mm (1") Rebate	437-31
<b>Dead Lock Rebate Sets</b>	
Brass 12.7mm (1/2") Rebate	434-31
Brass 25.4mm (1") Rebate	435-31

### 5 LEVER SASH LOCK



### 5 LEVER DEAD LOCK

#### Packaging

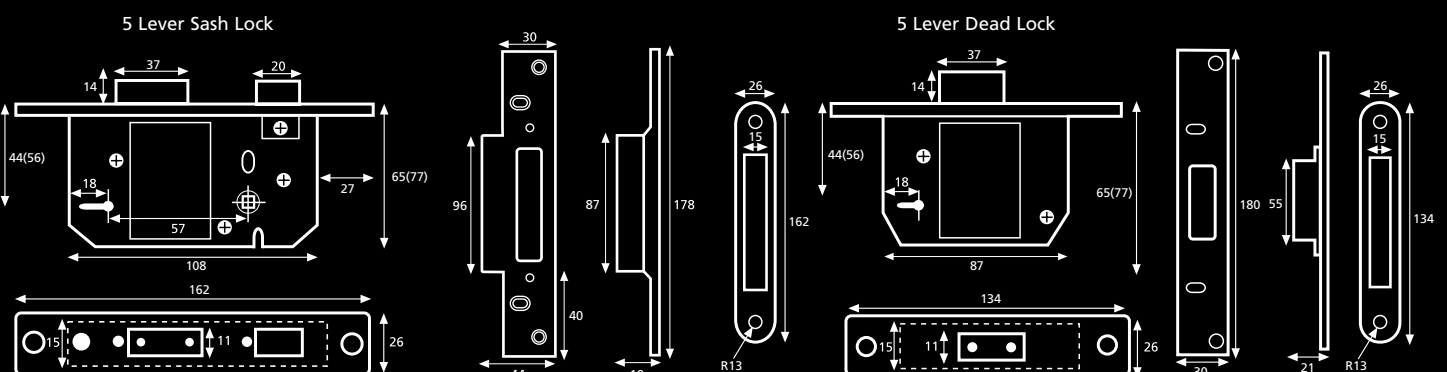
The locks are individually boxed complete with full fitting instructions. They are also available clam packed.

The Rebated Locks are available clam packed only.

#### Contents

**Sash Lock** - Lock, forend, striker, 2 keys, fixings and instructions.

**Dead Lock** - Lock, forend, striker, escutcheon set, 2 keys, fixings and instructions.



All dimensions in mm. Numbers in brackets relate to 3" version of lock

# Euro Profile Cylinders

DOUBLE EURO PROFILE CYLINDER

SINGLE EURO PROFILE CYLINDER

EURO PROFILE THUMBTURN CYLINDER



**Packaging**

The locks are individually boxed, and also available clam packed.

**Contents**

Euro Profile Cylinder, connecting screw and 2 keys.

## SPECIFICATION

ERA offers a comprehensive selection of **Euro Profile Cylinders**, available in a vast number of sizes and types, complementing the Euro Cylinder operated Mortice Locks.

Available in both brass and satin finishes, the Euro Profile Cylinders are manufactured from solid brass incorporating either 5 pins (Standard), 6 pins (Security) and 6 pins (High Security).

The High Security 6 pin cylinders have anti-pick, hardened pins and four mushroom drivers, offering in excess of 100,000 key differs.

The **Single Euro Profile Cylinders**, opening from one side only (external side of door), are ideal for use in locations such as fire escape doors, where top security is required on one side and controlled access on the other.

The **Euro Thumbturn Cylinders** are ideal for locations that require controlled access from one direction and easy access from another.

The **High Security 6 pin Double Euro Cylinders** ensures controlled access from both sides of the lock.

Master Keying and Cylinders To Pass are available to special order. Each cylinder is supplied with 2 keys.

## ORDERING DETAILS

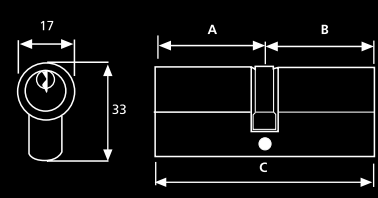
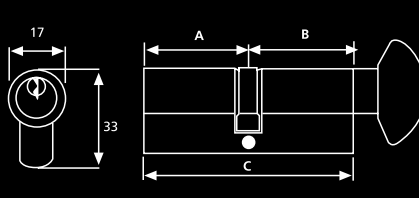
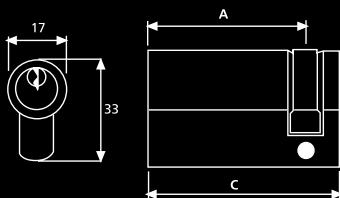
Dimensions (mm)			No. of Pins	Finish	
A	B	C			
<b>Single Euro Cylinders</b>					
30		40	5	Satin	<b>4030-51</b>
30		40	5	Brass	<b>4031-31</b>
<b>Euro Thumbturn Cylinders</b>					
30	30	60	5	Satin	<b>4100-51</b>
30	30	60	5	Brass	<b>4101-31</b>
<b>Double Euro Cylinders</b>					
30	30	60	5	Satin	<b>4050-51</b>
30	30	60	5	Brass	<b>4051-31</b>
30	40	70	5	Satin	<b>4054-51</b>
30	40	70	5	Brass	<b>4055-31</b>
35	35	70	5	Satin	<b>4110-51</b>
35	35	70	5	Brass	<b>4110-31</b>
35	35	70	6	Satin	<b>4066-51</b>
35	35	70	6	Brass	<b>4067-31</b>
35	40	75	6	Satin	<b>4068-51</b>
35	40	75	6	Brass	<b>4069-31</b>
35	45	80	6	Satin	<b>4070-51</b>
35	45	80	6	Brass	<b>4071-31</b>
40	40	80	6	Satin	<b>4077-51</b>
40	40	80	6	Brass	<b>4078-31</b>
40	50	90	6	Satin	<b>4081-51</b>
40	50	90	6	Brass	<b>4082-31</b>
40	60	100	6	Satin	<b>4085-51</b>
40	60	100	6	Brass	<b>4086-31</b>
45	45	90	6	Satin	<b>4087-51</b>
45	45	90	6	Brass	<b>4088-31</b>
45	55	100	6	Satin	<b>4095-51</b>
45	55	100	6	Brass	<b>4095-31</b>

*Further sizes available - please call Era sales for further information.*

Single Euro Profile Cylinder

Euro Profile Thumbturn Cylinder

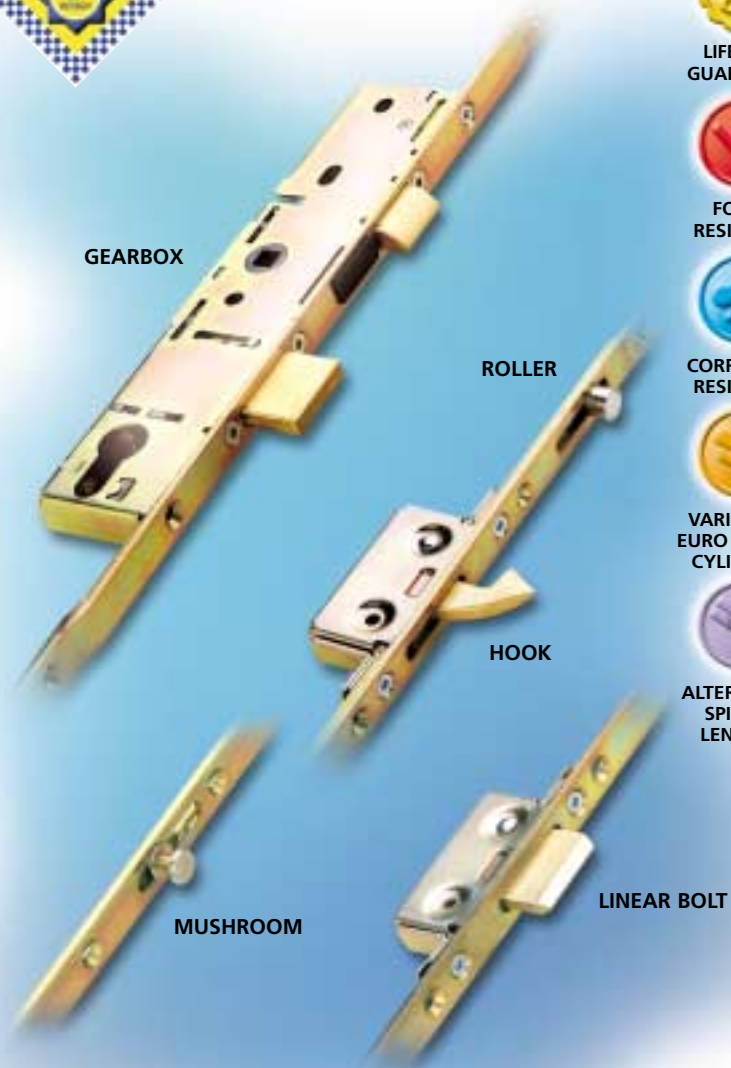
Double Euro Profile Cylinder



# Multi-Point Locks

## SPECIFICATION

- Designed to meet the requirements of PAS 23 and PAS 24
- Licensed by Secured by Design
- Lifetime Guarantee
- Available as 28mm, 30mm, 35mm and 45mm Backsets, with 16mm face bar
- Non-handed lock mechanism with reversible sash bolt to minimise stock requirements
- Snib facility as standard on all locks
- Central brass deadbolt throws 22mm to prevent unauthorised entry
- Accepts standard 92mm unsprung handles and euro profile cylinders
- Split spindle for front/back door applications - choice of length available
- Bi-directional throw of locking features - enhanced anti-jemmy feature
- Twin high security forged brass hooks for anti-separation resistance - 10mm engagement into keeps
- Hooks deadlocked in the fully thrown position
- Patented adjustable steel keeps giving  $\pm 2.0\text{mm}$
- Precision rollers for enhanced performance and weather sealing
- Easy-fit packer system for alternative profiles
- Optional shoot bolt engagement for additional security
- Single and french door (slave lock unit) application
- Full range of adjustable keeps with profile specific packers available



- LIFETIME GUARANTEE
- FORCE RESISTANT
- CORROSION RESISTANT
- VARIETY OF EURO PROFILE CYLINDERS
- ALTERNATIVE SPINDLE LENGTHS

## ORDERING DETAILS

To select the required 2 hook 2 roller MPL part number, use the tables below to determine:

1. The backset
2. The overall length of the unit
3. The position of the hooks

### OPTION 1

B	DL	OL	TH	TR	BH	BR	Part No.
28	1050	2250	615	715	615	715	5228-00-19AA
30	"	"	"	"	"	"	5230-00-19AA
35	"	"	"	"	"	"	5235-00-19AA
45	"	"	"	"	"	"	5245-00-19AA

Box Qty 5  
Outer Qty 250

### OPTION 2

B	DL	OL	TH	TR	BH	BR	Part No.
28	1050	2250	735	835	755	855	5228-00-19BA
30	"	"	"	"	"	"	5230-00-19BA
35	"	"	"	"	"	"	5235-00-19BA
45	"	"	"	"	"	"	5245-00-19BA

Box Qty 5  
Outer Qty 250

Please call Era sales for further product variation coding.

### Packaging

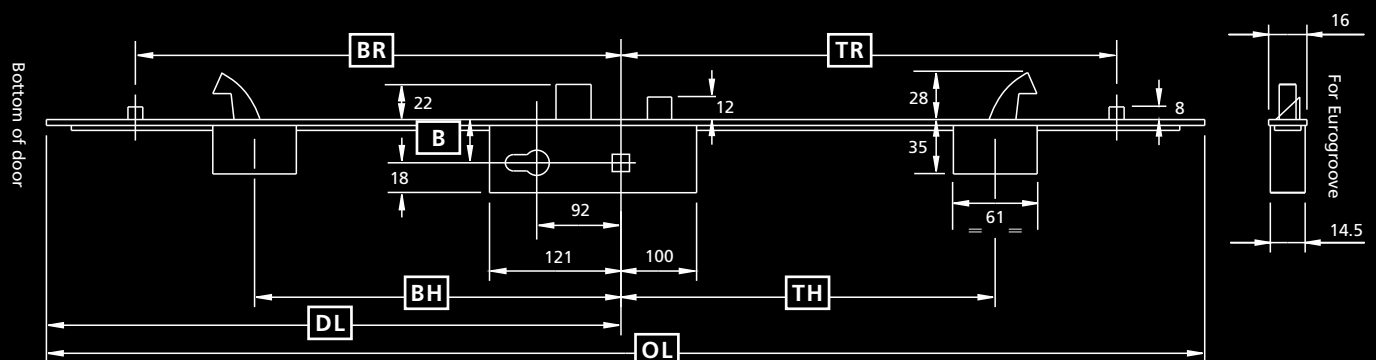
The MPL locks are individually boxed. Keeps and packers are sold separately.

### Contents

MPL locking mechanism.

### Key

- B** Backset
- DL** Datum Line
- OL** Overall Length
- TH** Top Hook
- TR** Top Roller
- BH** Bottom Hook
- BR** Bottom Roller

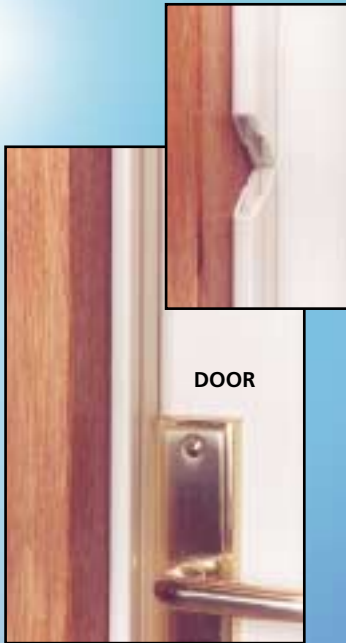


All dimensions in mm.

# SecuStrip - Anti Jemmy Strip



CROSS SECTION OF SECUSTRIP



TYPE ONE



TYPE TWO



TYPE THREE



## SPECIFICATION

The ERA SecuStrip is a low cost, effective way to protect your home or office. Featuring three models for inward and outward opening doors and windows, the ERA SecuStrip combines two interlocking steel profiles fitted to the outside of either a door and door frame, or a window and window frame. When closed, the two ingeniously designed profiles interlock to form a solid barrier against crowbar attack.

ERA SecuStrip is ideal for front, back and rebated double doors, including fire doors and windows. The security strip has the added advantage of hiding any previous damage to door frames, as well as acting as a draught excluder.

Available in a choice of finishes, including epoxy-coated white, brown and clear galvanised, standard strip lengths of 1965mm and 1980mm are cut to suit the door or window frame.

## ORDERING DETAILS

<b>Type One - Inward Opening</b>		
White 1965mm (6' 5 1/2")		107-11
Brown 1965mm (6' 5 1/2")		107-21
Galvanised 1965mm (6' 5 1/2")		107-91
<b>Type Two Twin Plus - Inward Opening</b>		
White 1965mm (6' 5 1/2")		108-11
Brown 1965mm (6' 5 1/2")		108-21
Galvanised 1965mm (6' 5 1/2")		108-91
<b>Type Three - Outward Opening</b>		
White 1980mm (6' 6")		109-11
Brown 1980mm (6' 6")		109-21
Galvanised 1980mm (6' 6")		109-91

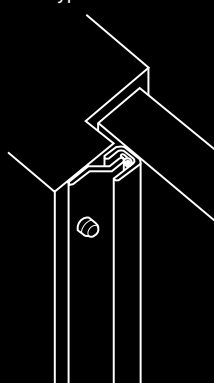
### Packaging

The strips are individually boxed complete with fixings and full fitting instructions.

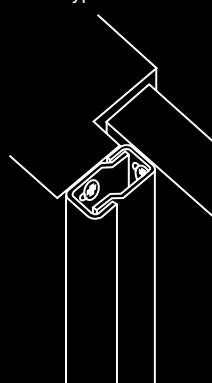
### Contents

2 Steel Profile Strips, fixings and instructions.

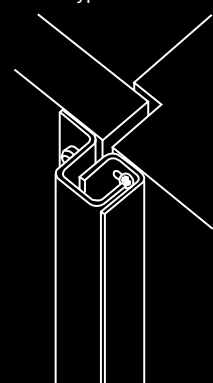
Type One



Type Two



Type Three



# 2 and 3 Lever Locks

## SPECIFICATION

The ERA Range of 2 and 3 Lever Locks are low cost and offer added security for internal doors and outside applications such as sheds.

The 3 Lever Locks are available as Sash Lock or Dead Lock, 2½" and 3", in both brass and satin finishes. Two numbered steel keys are supplied with over 100 variations.

The 2 Lever Sash Lock is available in 2½" and 3", in both brass and satin finishes. The numbered steel keys are supplied with over 36 variations.

## ORDERING DETAILS

<b>2 Lever Sash Lock</b>	
Brass 64mm (2½")	467-32
Brass 76mm (3")	567-32
<b>3 Lever Sash Lock</b>	
Brass 64mm (2½")	471-32
Satin 64mm (2½")	471-52
Brass 76mm (3")	571-32
Satin 76mm (3")	571-52
<b>3 Lever Dead Lock</b>	
Brass 64mm (2½")	470-32
Satin 64mm (2½")	470-52
Brass 76mm (3")	570-32
<b>Spare steel key blank</b>	
Note: Order according to key differ number.	
2 Lever key no.C01-C15	605-56LH
2 Lever key no.C16-C30	605-56RH
3 Lever key no.S01-S 50	605-56LH
3 Lever key no.S51-S100	605-56RH
<b>Rebate Sets</b>	
Brass 12.7mm (½") Rebate for Sash Lock	481-32
Brass 12.7mm (½") Rebate for Dead Lock	480-32

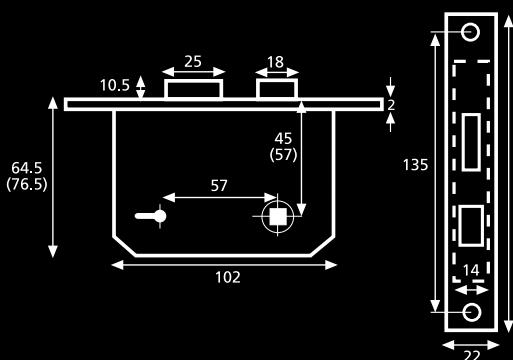


### Packaging

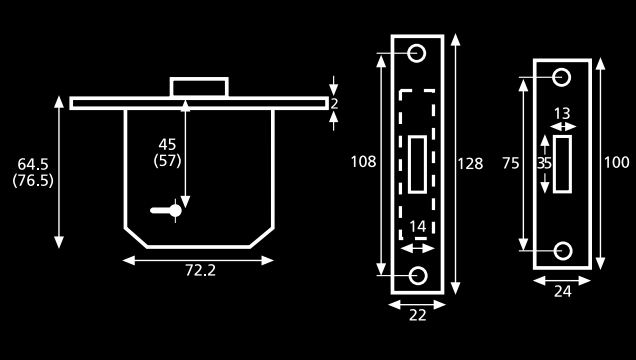
**2 and 3 Lever Locks** - The locks are individually clam packed with fixings and instructions. Also available boxed.

**Contents- 2 and 3 Lever Sash Lock** - Lock, forend, striker, 2 keys, fixings and instructions.

2 and 3 Lever Sash Lock



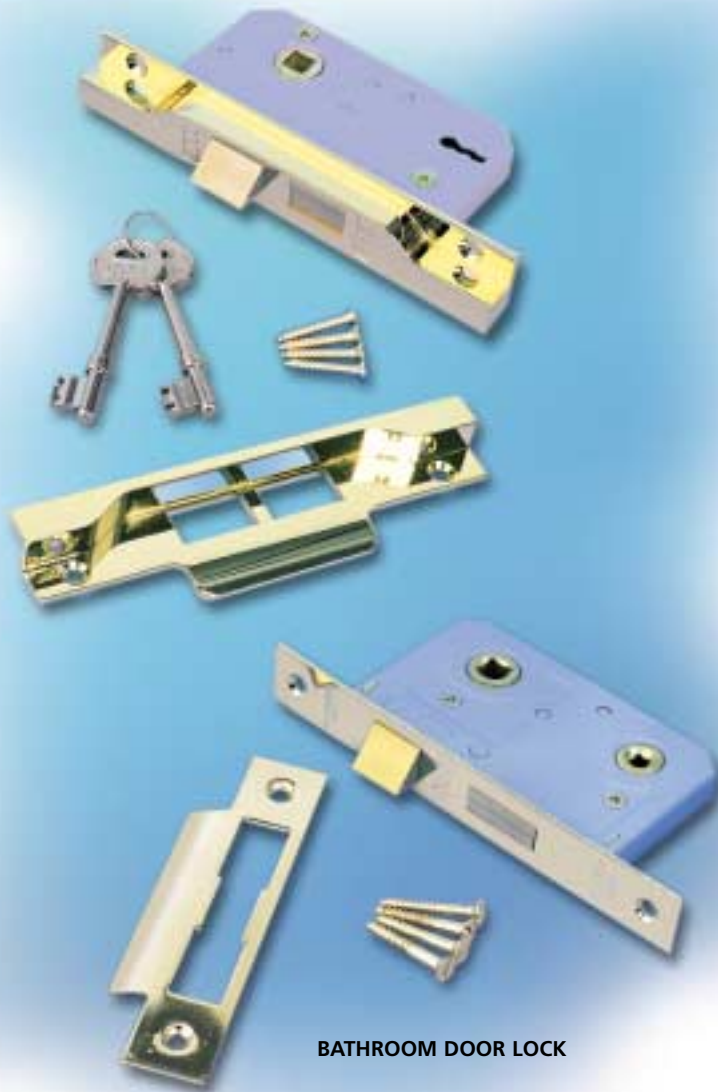
3 Lever Dead Lock



All dimensions in mm. Numbers in brackets relate to 3" version of lock

# Rebated & Bathroom Door Lock

## REBATED DOOR LOCK



BATHROOM DOOR LOCK

## SPECIFICATION

The ERA Rebated Door Lock is ideally suited for 13mm (1/2") Rebated French Doors.

Available in both brass and satin finish, the Rebated Door Lock features a reversible forend and sashbolt allowing fixing to both left or right hinged, inward or outward opening doors.

The 2 Lever Rebated Door Lock is supplied with 2 cut keys.

The ERA Bathroom Door Lock has been specially designed for bathroom doors.

Available in both brass and satin finish, the Bathroom Lock features a deadbolt which is operated by a thumb turn handle. The latch bolt can be easily reversed, fitting both left or right hinged inward or outward opening doors.

## ORDERING DETAILS

<b>Rebated Door Lock</b>	
Brass 64mm (2 1/2")	270-32
Satin 64mm (2 1/2")	270-52
Brass 76mm (3")	370-32
Satin 76mm (3")	370-52
<b>Bathroom Door Lock</b>	
Brass 64mm (2 1/2")	240-32
Satin 64mm (2 1/2")	240-52
Brass 76mm (3")	340-32
Satin 76mm (3")	340-52

*Rounded forends and keeps available please contact for more information*

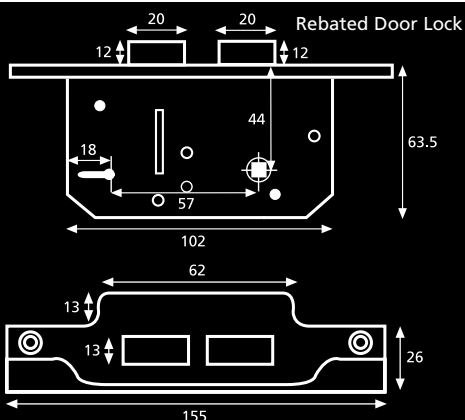
### Packaging

The locks are individually clam packed complete with full fitting instructions.

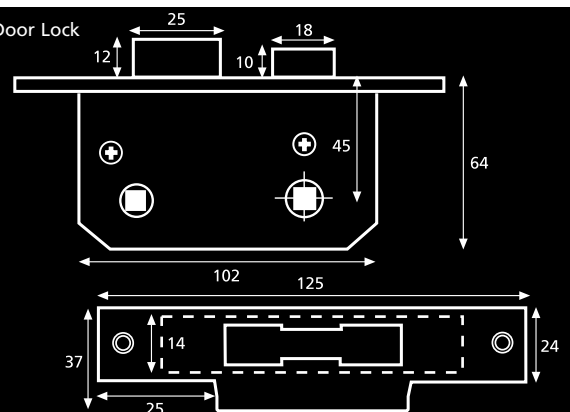
### Contents

**Rebated Door Lock** - Lock, striker, 2 keys, fixings and instructions.

**Bathroom Door Lock** - Lock, striker, fixings and instructions.



Bathroom Door Lock



All dimensions in mm.

# Door Knob Sets

## SPECIFICATION

The ERA range of Door Knob Sets consists of Entrance, Privacy and Passage functions, which are designed to meet all customer requirements. Easy to install, each set is supplied with fitting instructions and templates.

The locks available in this range can be used in different environments, which means that they are suitable for both commercial and domestic applications.

The Entrance Lock has been designed for applications on front and back doors and can be locked from either inside or outside.

For bathroom and bedroom door use, the external knob on the Privacy Lock has an emergency release, combining safety and privacy.

The Passage Lock is suitable for internal doors and as it is a non-locking knob set, it allows free access at all times.

ENTRANCE

PRIVACY

PASSAGE



## ORDERING DETAILS

Passage lock set brass finish, Boxed	170-31
Passage lock set brass finish, Clam pack	170-32
Passage lock set satin finish, Boxed	170-51
Passage lock set satin finish, Clam pack	170-52
Privacy lock set brass finish, Boxed	168-31
Privacy lock set brass finish, Clam pack	168-32
Privacy lock set satin finish, Boxed	168-51
Privacy lock set satin finish, Clam pack	168-52
Entrance lock set brass finish, Boxed	166-31
Entrance lock set brass finish, Clam pack	166-32
Entrance lock set satin finish, Boxed	166-51
Entrance lock set satin finish, Clam pack	166-52
Spare steel key blank	603-56

### Packaging

The locks are individually boxed or clam packed complete with full fitting instructions.

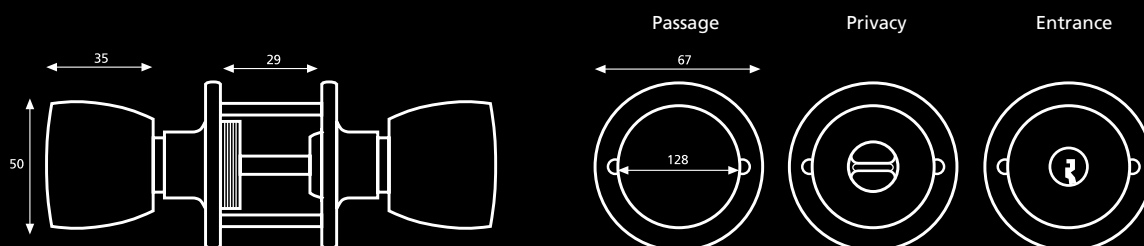
### Contents

**Entrance Lock Set** - Handles, 2 Keys, Latch, Striker, Fixings and instructions.

**Privacy Lock Set** - Handles with emergency release, Latch, Striker, Fixings and instructions.

**Passage Lock Set** - Handles, Latch, Striker, Fixings and instructions.

Door Knobs Sets



# Push Button Door Locks

DIGITAL DOOR LOCK



SMART LOCK



## SPECIFICATION

The ERA Digital Door Lock is designed for easy access control, suitable for a range of applications. The lock can be unlocked from the outside through correct input of the user code. The code can be easily changed. Keyed options are available.

The Digital Door Lock automatically locks on the spring latch bolt. For added security, it has a vandal proof outer knob. On the inside the integral handle allows simple opening. The Digital Door Lock has a keyless operation - no keys to lose. The lock has over 5,500 code combinations, and can easily be set for right hand or left hand fitting.

The ERA Smart Lock, an electronic digital door lock, is ideal for restricting access through doors of high usage or other vulnerable doors. The ERA Smart Lock comes with a choice of lever or knob handles and in a satin or satin brass finish. The lock is operated from the outside using and code and from the inside by using the handle.

It has the following features:

- Easy to operate and program using the keypad.
- One master code for programming and one user code.
- Key override as standard, concealed behind plate on the handle.
- Suitable for internal and external applications.
- Passage function so the door can be opened using just the handle when restricted access is not required.
- Powered by 4xAA Batteries (supplied).
- Suitable for door thickness 35-50mm.
- Maximum 9 digit code, minimum 1 digit.
- Deadlocking latch bolt.

## ORDERING DETAILS

<b>Digital Door Lock</b>	
Brassed	290-31
Brassed with Holdback	291-31
Satin	290-51
Satin with Holdback	291-51
Satin with Key Override	292-51
Satin with Hook Bolt	293-51
<b>Smart Lock</b>	
Lever Handle, left hand, brassed	288-31LH
Lever Handle, right hand, brassed	288-31RH
Lever Handle, left hand, satin	288-51LH
Lever Handle, right hand, satin	288-51RH
Door Knob, brassed	289-31LH
Door Knob, satin	289-51LH

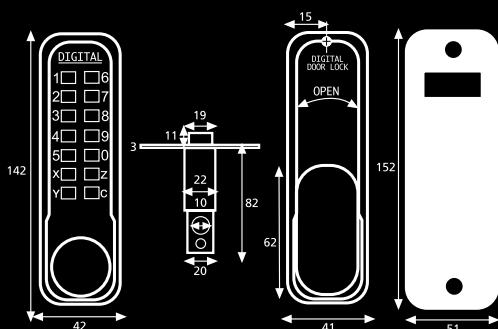
### Packaging

Individually boxed complete with full fitting instructions.

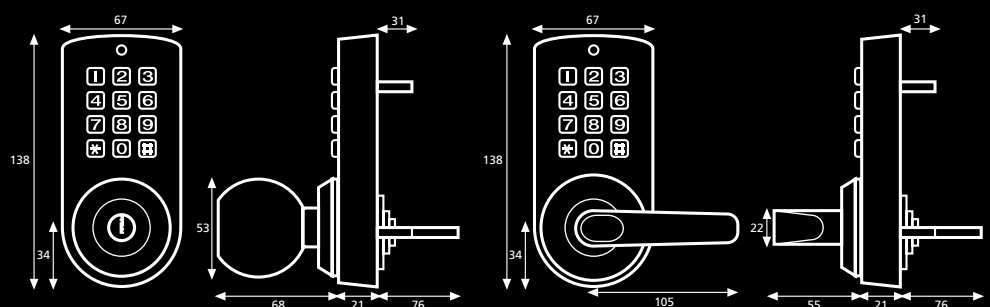
### Contents

Lock, striker, fixings and instructions.

Digital Door Lock



Smart Lock





# Codemaster Digital Door Lock

## SPECIFICATION

The New ERA Codemaster has been enhanced with a new anti picking system, reinforced backplate, a metal latchbolt and improved fixing posts.

ERA Codemaster is a fully mechanical push button lock, suitable for regulating access in a variety of commercial, industrial and domestic applications. No keys or wiring required.

The lock is unlocked from the outside only through correct input of the user code and from the inside using an easy turn handle. Codemaster locks automatically on the spring latch bolt when the door is closed.

The security code is reset in seconds using just a screwdriver, whilst the lock is fixed to the door. For added security, Codemaster has a 'primary key' feature - the first button pressed must be the primary key.

Codemaster is available in a range of colours and finishes.

Rebate sets and door repair plates are available.

## ORDERING DETAILS

### Codemaster Digital Door Lock

Gold		295-31
Gold with holdback		296-31
Grey		295-41
Grey with holdback		296-41
Silver		295-51
Silver with holdback		296-51
Red	(RAL 3003)*	296-511
Blue	(RAL 5002)*	296-541
Green	(RAL 6016)*	296-591
Light Grey	(RAL 7038)*	296-601
Black	(RAL 9005)*	296-671

\*with holdback

### Codemaster Door Repair Plates

Brass Repair Plate	280-31
Satin Repair Plate	280-51

### Codemaster Rebate Sets

Brass 13mm Rebate set	281-31
Brass 19mm Rebate set	282-31
Brass 25mm Rebate set	283-31
Satin 13mm Rebate set	281-51
Satin 19mm Rebate set	282-51
Satin 25mm Rebate set	283-51



### RAL COLOURS

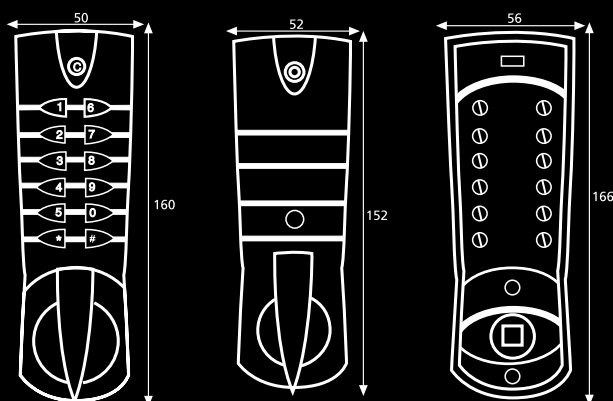


### Packaging

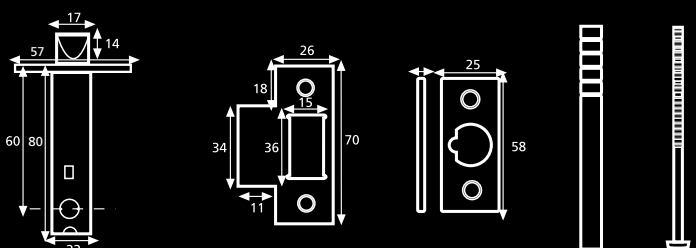
Individually boxed or clam packed with full fitting instructions and templates.

### Contents

Lock, striker, fixings.



### Codemaster Digital Door Lock



All dimensions in mm.

# Double Locking Nightlatch

60MM BRASSED DOUBLE LOCKING NIGHTLATCH



40MM CHROME DOUBLE LOCKING NIGHTLATCH



**Packaging**

The Double Locking Nightlatch is individually boxed complete with full fitting instructions. They are also available clam packed.

**Contents**

Double Locking Nightlatch - Lock, striker, cylinder with rose, 3 keys, fixings and instructions.

## SPECIFICATION

The ERA Double Locking Nightlatch is available in both 40mm and 60mm backset, designed to replace most existing front door locks. The product is ideally suited for solid and glass panelled wooden doors, as it has been designed with an ergonomic internal locking handle offering added security against forced entry.

The main lock bolt is "automatically" deadlocked when the door is closed, preventing the main bolt being retracted by a credit card. The inside handle can be deadlocked by an anti-clockwise turn of the key from the inside so securing the lock against forced entry. The bolt can be held in the withdrawn position (only) with the use of the snib feature.

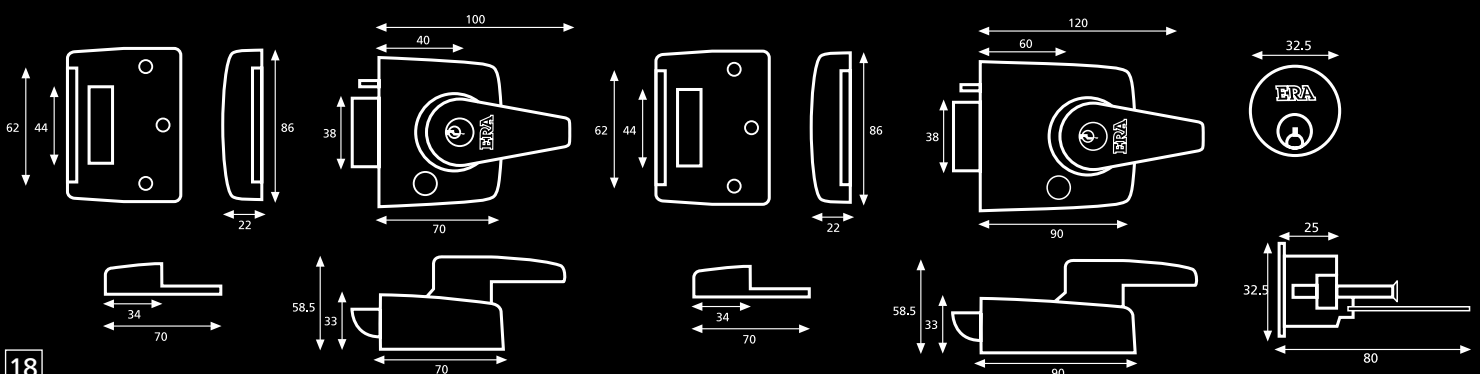
The nightlatch case is available in brass, grey and a new range of chrome finishes, with matching brass and satin rim cylinders.

## ORDERING DETAILS

<b>Double Locking Nightlatch</b>	
<b>40mm Backset (Narrow Style)</b>	
Brass body, brass cylinder, boxed	183-31
Brass body, brass cylinder, clam packed	183-32
Grey body, brass cylinder, boxed	184-31
Grey body, brass cylinder, clam packed	184-32
Grey body, satin cylinder, boxed	184-51
Grey body, satin cylinder, clam packed	184-52
Satin chrome body, satin cylinder, boxed	183-35-1
Polished chrome body, satin cylinder, boxed	183-37-1
Satin nickel chrome body, satin cylinder, boxed	183-40-1
<b>60mm Backset (Standard Style)</b>	
Brass body, brass cylinder, boxed	193-31
Brass body, brass cylinder, clam packed	193-32
Grey body, brass cylinder, boxed	194-31
Grey body, brass cylinder, clam packed	194-32
Grey body, satin cylinder, boxed	194-51
Grey body, satin cylinder, clam packed	194-52
Satin chrome body, satin cylinder, boxed	193-35-1
Polished chrome body, satin cylinder, boxed	193-37-1
Satin nickel chrome body, satin cylinder, boxed	193-40-1

40mm Front Door Lock

60mm Front Door Lock



All dimensions in mm.

# Front Door Lock, Replacement Cylinder and Pull

## SPECIFICATION

The **ERA Front Door Lock Range**, available in both 40mm and 60mm backset, is designed to replace most existing front door locks. The locks can be deadlocked from the outside using the keys and feature a push button dead lock facility on the inside, which can easily be opened in an emergency. The easy grip handle allows easy use by the elderly. This range of front door locks is available in a variety of finishes.

**ERA Replacement Cylinders** are suitable for all ERA Front Door Lock models as well as other makes of front door locks. The Rim Cylinder has an advanced specification rim for added security. Each cylinder is supplied with two keys.

**ERA Cylinder Pulls** are designed to complement the range of Front Door Locks, providing an easy means of closing the door from the outside. The attractive door pulls are available in both solid brass (Victorian Style) and economy, brassed and satin.

## ORDERING DETAILS

### Front Door Locks

#### 40mm Backset (Narrow Style)

White body, brass cylinder	143-11
Brassed body, brass cylinder	143-31
Satin body, brass cylinder	143-51
Brassed body, satin cylinder	145-31
Satin body, satin cylinder	145-51

#### 60mm Backset (Standard Style)

White body, brass cylinder	163-11
Brassed body, brass cylinder	163-31
Satin body, brass cylinder	163-51
Satin body, satin cylinder	165-51

### Replacement Cylinder

Brass	863-31
Satin	863-51

### Cylinder Door Pull

Solid Brass	864-32
Brassed	865-32
Satin	865-52

FRONT DOOR LOCK



REPLACEMENT CYLINDER AND CYLINDER PULL

### Packaging

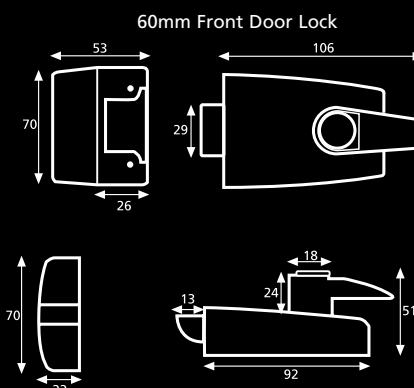
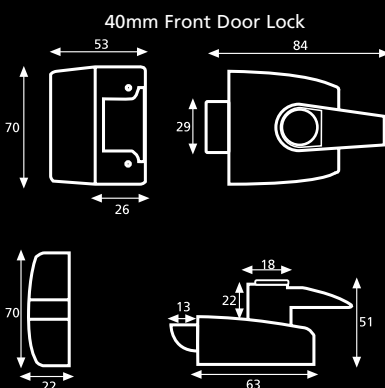
The Front Door Locks and Replacement Cylinders are individually boxed complete with full fitting instructions. They are also available clam packed. The Cylinder Pulls are available blister packed.

### Contents

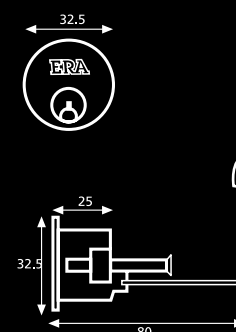
**Front Door Lock** - Lock, striker, cylinder with rose, 2 keys, fixings and instructions.

**Replacement Cylinder** - cylinder with rose, 2 keys, fixings and instructions.

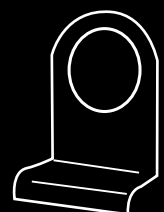
**Cylinder Pulls** - Cylinder Pull.



Replacement Cylinder



Cylinder Pull



All dimensions in mm.

# Traditional Door Lock

GREEN TRADITIONAL DOOR LOCK



BRASS TRADITIONAL DOOR LOCK

## SPECIFICATION

The ERA Traditional Door Lock has been designed to replace most existing front door locks, providing added security to new exterior and interior doors.

The lock is suitable for left or right handed operation, inward or outward opening doors. A simple snib button deadlocks the latch from the inside.

The Traditional Door Lock is available in brass or green finish, and has a choice of brass or satin finish cylinders, supplied with two cut keys.

## ORDERING DETAILS

### Traditional Door Locks

#### 60mm Backset (Standard Style)

Green body, brass cylinder, box	133-81
Green body, satin cylinder, box	135-81
Green body, brass cylinder, clam pack	133-82
Green body, satin cylinder, clam pack	135-82

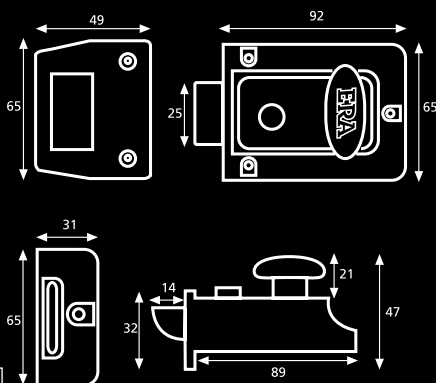
Brassed body, brass cylinder, box	133-31
Brassed body, brass cylinder, clam pack	133-32

### Packaging

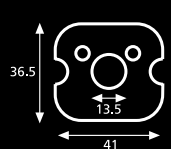
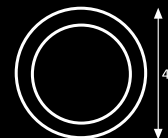
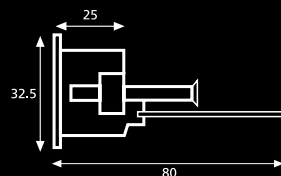
The Traditional Door Locks are individually boxed complete with full fitting instructions. They are also available clam packed.

### Contents

Traditional Door Lock - Lock, striker, cylinder with rose, 2 keys, fixings and instructions.



Traditional Door Lock



All dimensions in mm.

# Door Accessories

## SPECIFICATION

The **ERA Securichain** gives extra security for external doors and is fitted concealed in the door frame. Push button operation facilitates quick and easy locking and is especially suitable for the elderly. When in the locked position, conversation can take place through the door whilst being secured. The Securichain can only be unlocked when the door is closed.

The **ERA Viewer** allows visual identification of callers without the need to open doors. Made of precision optical glass, 160° and 180° angles of view are available. Viewers with plastic lenses are also available, with up to 200° angle of view. The viewer is adjustable to fit doors 35mm to 54mm thick.

The **ERA Door Chains** offer visible security, allowing conversation without giving access to visitors.

The **ERA Door Restrictor** is designed to limit door opening prior to allowing entrance to visitors. It is easily applied and released when the door is closed.

## ORDERING DETAILS

<b>Securichain</b>	
Brassed	700-32
Satin Chrome	700-52
<b>Door Viewer</b>	
160° Brassed - Glass Lens	786-32
160° Chrome - Glass Lens	786-62
180° Brassed - Glass Lens	784-32
180° Chrome - Glass Lens	784-62
160° Brassed - Plastic Lens	190-32
160° Chrome - Plastic Lens	190-62
180° Brassed - Plastic Lens Wide Angle	191-32
180° Chrome - Plastic Lens Wide Angle	191-62
200° Brassed - Plastic Lens Wide Angle	192-32
200° Chrome - Plastic Lens Wide Angle	192-62
<b>Slide Chain</b>	
Brassed	787-32
Satin	787-52
<b>Door Chain</b>	
Brassed	788-32
Satin	788-52
Chrome	788-62
<b>Door Restrictor</b>	
Brassed	789-32
Satin	789-52



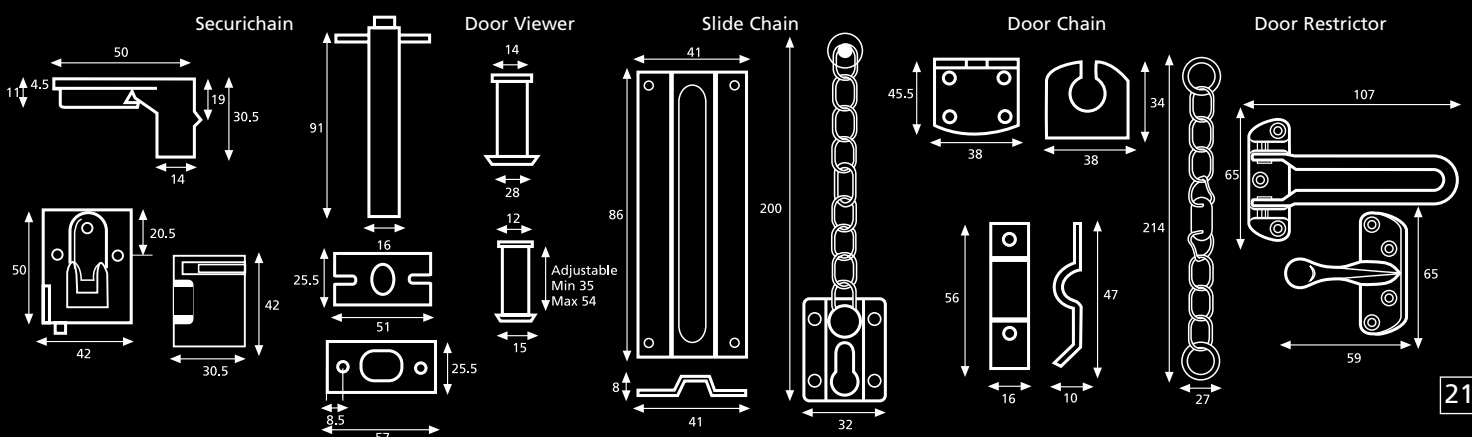
**Packaging**  
Individually carded with full fitting instructions. 10 cards per carton.

**Contents - Securichain**  
Securichain, receiving plate and fixings.

**Contents - Door Viewer**  
Viewer, securing sleeve and escutcheon cover plate (glass lens only).

**Contents - Door Chains**  
Chain, door and bracket jambs and fixings.

**Contents - Door Restrictor**  
Door Restrictor and fixings.



# Door Accessories

**DOOR SECURITY BOLT & SPLINED KEY**



**DOOR SECURITY BOLT**



**EASI-TURN**



**HINGE BOLTS**



**TUBULAR LATCH**



**THUMBTURN**



**Packaging**

Individually carded complete with full fitting instructions. 10 cards per carton.

**Contents - Security Bolt and Key**

Security Bolt, receiving plate, escutcheon plate and fixings.

**Contents - Thumbturn**

Thumbturn and fixings

**Contents - Easi-Turn Kit / Replacement**

Easi-Turn, door security bolt, receiving plate and fixings. Easi-Turn handles and fixings are supplied in Replacement Set.

**Contents - Hinge Bolt**

2 Hinge bolts, receiving plates, fixing templates and fixings.

**Contents - Tubular Latch**

Latch, striking plate and fixings.

## SPECIFICATION

The **ERA Door Security Bolt** offers concealed security for all internal and external doors. The separate splined key locks and unlocks from one side only.

The **ERA Thumbturn** is permanently fixed to the door in conjunction with a door security bolt. It is easily located in the event of an emergency and allows privacy when used on internal doors. It is also suitable as a security measure for cupboards and internal doors. It is available individually as a replacement for a key where a security bolt is already fitted.

The **ERA Easi-Turn** and **Door Security Bolt** is permanently fixed to the door, but because of its large triangular shape allows easy gripping and is especially suitable for the elderly, the visually impaired and the less able. It is available as a complete kit with Easi-Turn and Security Bolt or as a replacement for the key where a security bolt is already fitted.

The **ERA Hinge Bolt** offers added security on external doors with exposed hinges, helping to prevent doors being forced off their hinges. This bolt is suitable for all wooden internal and external doors. Manufactured from hardened steel it resists hacksawing. Hinge bolts are essential for all outward opening doors.

The **ERA Tubular Latch** is suitable for all internal doors.

## ORDERING DETAILS

**Security Bolt and Splined Key**

White	<b>838-12</b>
Brass	<b>838-32</b>
Satin	<b>838-52</b>
Saver Pack - 2 brass bolts plus 1 free key	<b>838-33</b>
Splined Key	<b>506-52</b>

**Easi-Turn Kit**

White	<b>841-12</b>
Brown	<b>841-22</b>

**Easi-Turn Replacement**

White	<b>842-12</b>
Brown	<b>842-22</b>

**Hinge Bolts**

Satin	<b>740-52</b>
-------	---------------

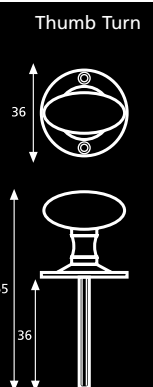
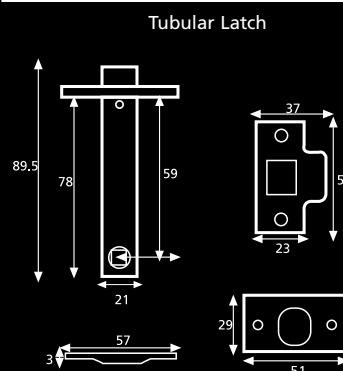
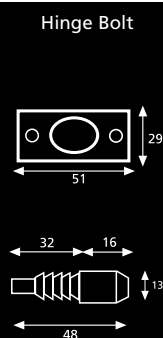
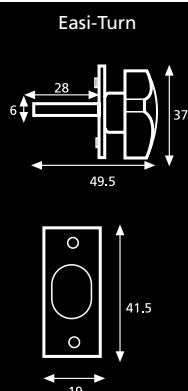
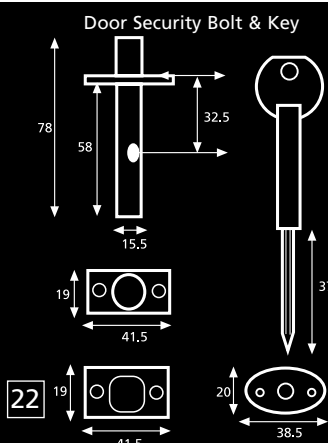
**Tubular Latch**

Brass 64mm (2 1/2")	<b>188-32</b>
Satin 64mm (2 1/2")	<b>188-92</b>
Brass 76mm (3")	<b>189-32</b>
Satin 76mm (3")	<b>189-92</b>

**Thumbturn**

Brass	<b>843-32</b>
Satin	<b>843-52</b>
Polished Chrome	<b>843-62</b>

*Rounded forends and keeps available please contact for more information*



All dimensions in mm.

# Multi-Function Locks & Patio Door Lock

## SPECIFICATION

The **ERA Universal Pressbolt** can be used on all external and internal doors, French windows and cupboards. Simply press the spring-bolt to lock and use the key to unlock. The rotating steel bolt resists hacksawing and the fixing screws are concealed when in the locked position. The lock is supplied with a steel receiving plate and ferrule enabling fixing to all types of door jamb.

The **ERA Multi-Purpose Bolt** can be fitted to aluminium and wooden sliding and hinged doors. The long bolt throw also makes it ideal for patio and garage doors. The rotating steel bolt resists hacksawing and the fixing screws are concealed when in the locked position.

Each bolt is supplied with several steel receiving plates and a ferrule for easy fitting to all types of jamb.

Cut keyed versions of these products can be supplied with keys to pass.

The **ERA Patio Door Lock** can be fitted to most types of metal, wood and uPVC patio doors including those that slide on the inside or outside track.

Simply press the spring bolt to lock - the key is only required to unlock. All fixing screws are concealed when locked.

The hardened steel bolt resists hacksawing. Patio Door Locks are supplied with a ferrule to finish the drilled door frame.

## ORDERING DETAILS

### Universal Pressbolt

#### Cut Keys

White 806-12  
Brassed 806-32

#### Standard Keys

White 805-12

### Multi-Purpose Bolt

#### Cut Keys

White 807-12  
Brassed 807-32  
Satin 807-52

### Patio Door Lock

#### Cut Key

White 100-12  
Brown 100-22  
Grey 100-42

#### Spare Keys

Cut key 591-56  
Key blank 682-56



**Packaging - Universal Pressbolt**  
Carded with full fitting instructions. 10 cards per carton.

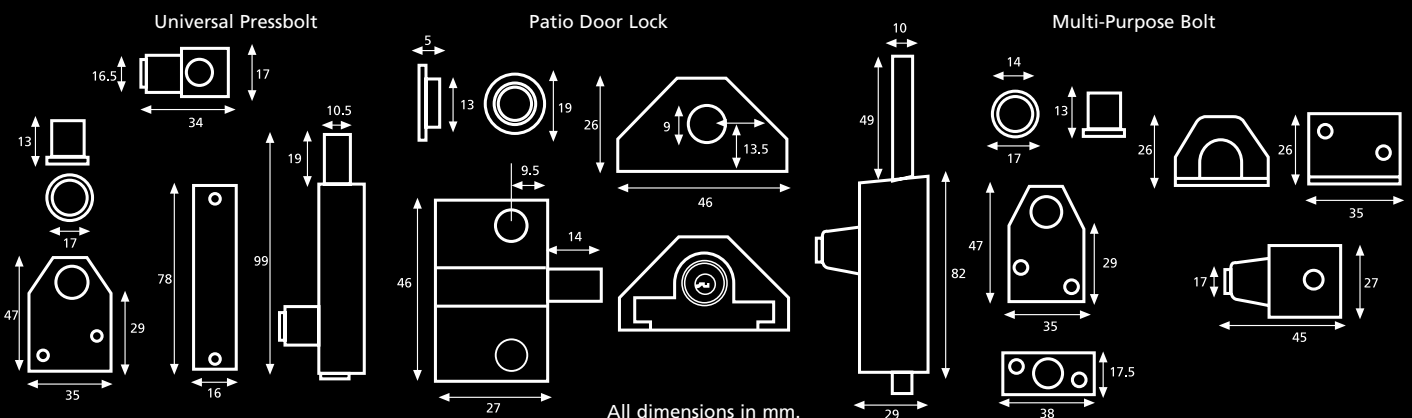
**Packaging - Multi-Purpose Bolt**  
Carded with full fitting instructions. 5 cards per carton.

**Packaging - Patio Door Lock**  
Individually carded with full fitting instructions. 10 cards per carton.

**Contents - Universal Pressbolt**  
Pressbolt, receiving plate, ferrule, 1 key and fixings.

**Contents - Multi-Purpose Bolt**  
Multi-Purpose Bolt, 3 receiving plates, ferrule, 2 cut keys and fixings.

**Contents - Patio Door Lock**  
Patio Door Push Lock, ferrule, 2 cut keys and fixings.



# Big 6 and Fortress Locking Bar

## FORTRESS LOCKING BAR



## BIG 6 PADLOCK



## SPECIFICATION

The ERA Big 6 Heavy Duty Padlock incorporates 6 levers for maximum security. The cast bolt is housed in a laminated steel case. There are over 1000 key combinations with master keying available. When used with the ERA Fortress Locking Bar, doors up to 70mm thick can be secured.

The Fortress Locking Bar has a drill proof hinge-pin which prevents hacksawing, whilst the hardened forged-steel staple, concealed by the hasp, prevents hacksawing and wrenching. The bars are manufactured from heavy malleable iron castings for maximum strength. All fixing screws are concealed.

## ORDERING DETAILS

<b>Big 6 Padlock</b> 73mm (2 <sup>7</sup> / <sub>8</sub> " Lock	<b>212-41</b>
<b>Fortress Locking Bar</b> Fortress	<b>121-41</b>

### Packaging

The locks are individually boxed complete with full fitting instructions. The 2" Fortress padlock is also available clam packed.

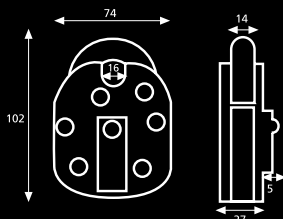
### Contents - Big 6 Padlock

Padlock, 3 keys, fixings and instructions.

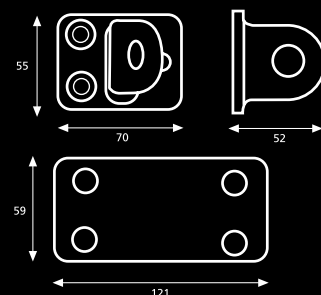
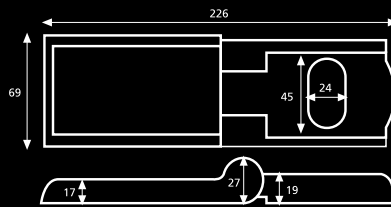
### Contents - Fortress Locking Bar

Hasp and staple, fixings and instructions.

Big 6 Padlock



Fortress Locking Bar





# Close Shackle & English Lever Padlocks

## SPECIFICATION

The ERA Close Shackle Padlock has a 5 brass lever locking mechanism with a close hardened steel shackle offering maximum security. Master keying of this product is available. Doors up to 63mm thick can be secured when used in conjunction with the ERA Narrow Stile Security Locking Bar. This locking bar is manufactured from heavy malleable iron castings for maximum strength. The hardened forged-steel hasp conceals the staple to prevent hacksawing and forced wrenching.

The ERA English Lever Padlock has a 4 brass lever locking mechanism with a steel shackle in a pressed steel case. The English Lever Padlock range is ideally suited for general outdoor use. The rim is strongly fortified from inside to prevent other padlock keys from being used. The 2 keys supplied offer 12 key changes.

## ORDERING DETAILS

<b>Close Shackle</b>	
64mm (2½") 5 Lever Padlock	975-91
<b>Narrow Stile Locking Bar</b>	
Narrow Stile	125-41
<b>English Lever Padlock</b>	
38mm (1½") Lock - Boxed	914-91
51mm (2") Lock - Boxed	924-91
51mm (2") Lock - Clam Packed	924-92
64mm (2½") Lock - Boxed	934-91

NARROW STILE LOCKING BAR



CLOSE SHACKLE PADLOCK



ENGLISH LEVER PADLOCK

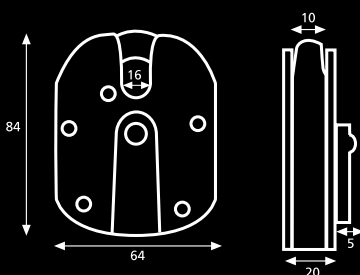
### Packaging

The locks are individually boxed complete with full fitting instructions.

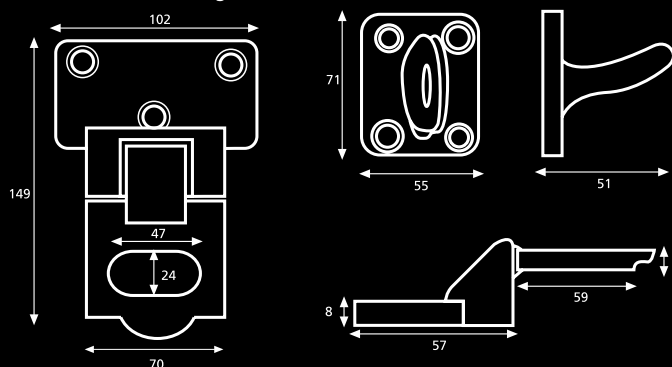
**Contents - Close Shackle & Lever Padlocks**  
Padlock and 2 keys.

**Contents - Narrow Stile Locking Bar**  
Hasp and staple, fixings and instructions.

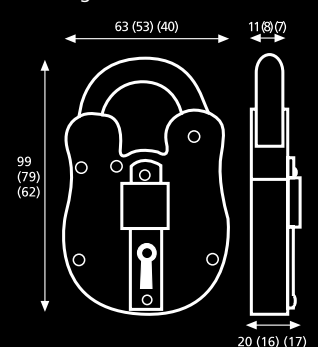
Close Shackle Padlock



Narrow Stile Locking Bar



English Lever Padlock



All dimensions in mm.

# Garage Door Lock

## SPECIFICATION

The ERA Garage Door Lock offers extra security to metal canopy style garage doors. Each pack contains two locks, one for each side of the door. They are lockable from both inside and outside with one key operating both locks.



GARAGE DOOR LOCK



## ORDERING DETAILS

Garage Door Locks  
Brass 76mm (3")

318-32

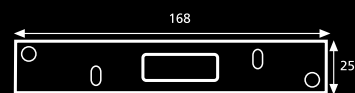
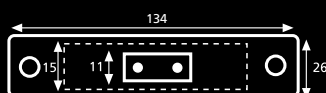
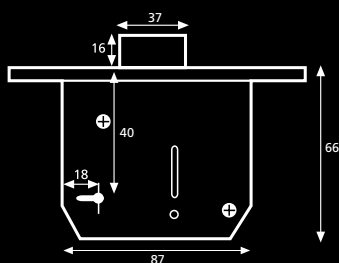
### Packaging

Two locks individually clam packed with full fitting instructions.

### Contents

2 x 5 lever Dead Locks, forends, escutcheons, flat striker plates, 2 matching keys, fixings and instructions.

Garage Door Lock



# High Security Window Locks

## SPECIFICATION

The ERA Snaplock can be used on most types of windows including casement, side hung or top hung. Closing the window locks the Snaplock automatically, the key is only required to unlock.

Available for both wooden and metal frames and in a variety of finishes.

The mechanism is designed to allow for any subsequent movement of the window frame. Plugs conceal and protect the fixing screws.

Manufactured from coated steel, ERA Snaplocks are designed to withstand years of use.

Cut keyed versions of the snaplock can be supplied with keys to pass.

### SNAPLOCK WOODEN WINDOWS



### SNAPLOCK METAL WINDOWS



## ORDERING DETAILS

### Snaplock Wooden Windows - Standard Keys

White	801-12
Brown	801-22
Brassed	801-32
Saver Pack White - 4 per card	801-13
Saver Pack Brown - 4 per card	801-23
Saver Pack Brassed - 4 per card	801-33
Spare Standard key for Snaplock	581-56
2 Spare Standard keys - carded	581-52

### Snaplock Wooden Windows - Cut Keys

White	802-12
Brown	802-22
Brassed	802-32
Spare cut key for Snaplock	591-56
Key blank for Snaplock	682-56

### Snaplock Metal Windows - Cut Key

White	904-12
-------	--------

### Packaging - Wooden and Metal

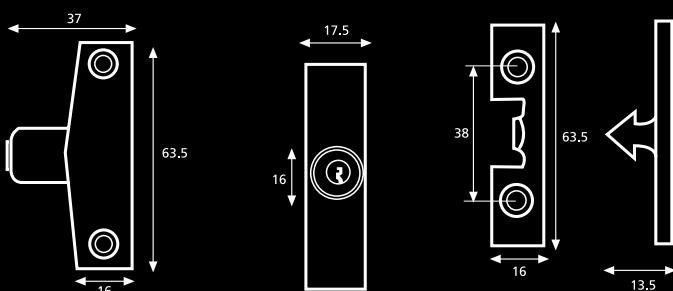
Individually carded complete with full fitting instructions. 10 cards per carton.

### Contents

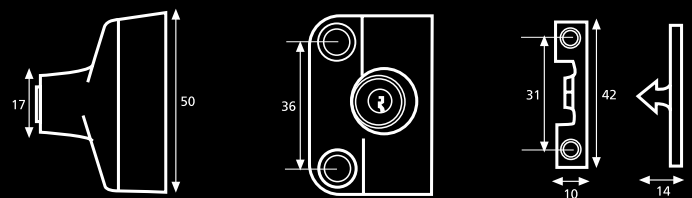
Wooden Snaplock, receiving plate, 1 key, 2 plugs, packing plate and fixings.

Metal, Snaplock, receiving plate, 1 key, 2 plugs and fixings.

Snaplock - Wooden Windows



Snaplock - Metal Windows



All dimensions in mm.

# High Security Window Locks

## SPECIFICATION

The **ERA Swinglock** is suitable for most wooden and metal casement windows. The lock pivots to latch when the window is closed. The fixing screws are concealed when in the locked position. The locking action pulls the window tight into the frame, thus reducing drafts.

The **ERA Metal Window Lock** fits most metal windows including casement, side hung, pivot and top hung. The Metal Window Lock uses a cut key to lock and unlock. Fixing screws are self-tapping.

The **ERA Flush Pivot Lock** is suitable for most wooden windows including casement, side hung, pivot, top hung and sliding. Each lock is supplied with a box keep in matching finish. The Flush Pivot Lock uses a cut key to lock and unlock. The hardened steel bolt is deadlocked in the box keep. Fitting is by thief-deterrent clutch-head screws.

**SWINGLOCK**



**METAL WINDOW LOCK**



**FLUSH PIVOT LOCK**



## ORDERING DETAILS

<b>Swinglock Wooden Window - Standard Key</b>	
White	809-12
<b>Swinglock Metal Window - Standard Key</b>	
White - 2 per card	903-12
<b>Metal Window Lock - Cut Key</b>	
White	901-12
<b>Spare Key for Metal Window Lock</b>	
Cut key	591-56
Blank key	682-56
<b>Flush Pivot Lock - Cut Key</b>	
White	902-12
Brassed	902-32

**Packaging - Swinglock, Metal Window Lock & Flush Pivot Lock.**

Individually carded complete with full fitting instructions. 10 cards per carton.

**Contents - Swinglock**

Swinglock, receiving plate, 1 key and fixings.

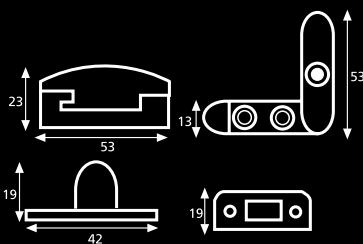
**Contents - Metal Window Lock**

Lock, 1 key and fixings.

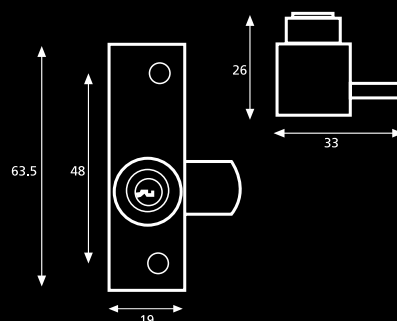
**Contents - Flush Pivot Lock**

Lock, keep, 1 key and fixings.

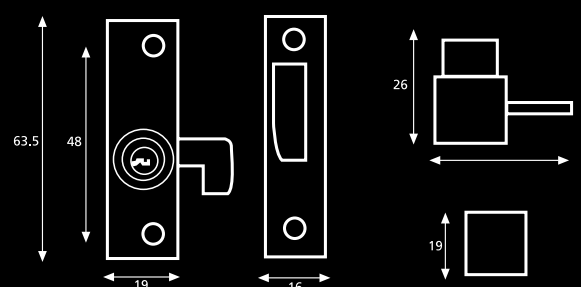
Swinglock



Metal Window Lock



Flush Pivot Lock



All dimensions in mm.

# High Security Window Locks

## SPECIFICATION

The **ERA Dual Screw** fits most sash windows and is concealed when fitted, offering added security. The lock uses a key operated locking pin in brass bushes.

The **ERA Window Bolt** is suitable for most types of wooden windows including casement, side hung, top hung and sash windows. Simply press the spring bolt to lock and use the key to unlock. A choice of finishes are available. Plugs conceal and protect the fixing screws. The rotating steel bolt resists hacksawing. The ERA Window Bolt is available with either a cut or standard key.

The **ERA Sash Lock** fits most sash windows. Constructed of steel, it provides a locking window stop which secures the window in the closed position using a standard key.

## ORDERING DETAILS

<b>Dual Screw - Standard Key</b>	
Brass - 2 per card	826-32
Brass - 6 per card	826-33
Brass - 12 bags per card	826-34
Spare key for Dual Screw	584-56
<b>Sash Bolt - Cut Key</b>	
White	804-12
Brown	804-22
Brassed	804-32
<b>Sash Bolt - Standard Key</b>	
White	803-12
Brown	803-22
<b>Window Bolt/Sash Bolt - Cut Key</b>	
White	854-12
Brown	854-22
Brassed	854-32
<b>Window Bolt/Sash Bolt - Standard Key</b>	
White	853-12
Brown	853-22
<b>Sash Lock - Standard Key</b>	
Brass - 2 per card	822-32
Satin - 2 per card	822-52
Satin - 12 bags per card	822-54
Spare key for Sash Lock	582-56

### DUAL SCREWS



### WINDOW BOLT / SASH BOLT

Supplied with 804



Supplied with 854 only



### SASH LOCK



#### Packaging

Individually carded complete with full fitting instructions. 10 cards per carton.

#### Contents - Window Bolt / Sash Bolt

Window Bolt, receiving plate, 1 key, 2 plugs and fixings.

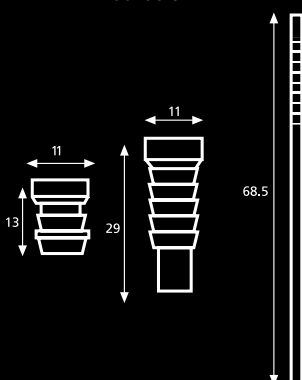
#### Contents - Sash Lock

2 locks, 2 receiver plates, 1 key and fixings.

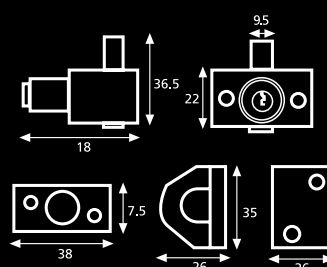
#### Contents - Dual Screw

2 locks, 4 brass bushes, 1 key and fixings. Where 6 locks are supplied pack includes 12 brass bushes.

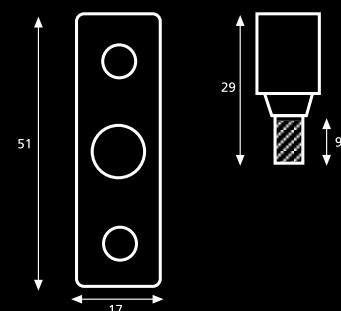
Dual Screw



Window Bolt / Sash Bolt



Sash Lock



All dimensions in mm.

# Economy Window Locks

## SPECIFICATION

The **ERA Metlock** utilises a high tensile steel bolt to prevent the handle from moving. The steel construction is operated by a standard key and is suitable for most cockspur handles on metal windows.

The **ERA Transom Lock** clamps the window stay to the fixed peg on metal transom windows. It is fully removable to allow normal window opening.

The **ERA Sliding Window Lock** is designed specifically for sliding aluminium windows and doors. The standard ERA key operates the tamper-resistant spring loaded locking action. Once fitted, the fixing screws are concealed by the steel security bolt housing.

The **ERA Locking Window Catch** is manufactured from steel and brass to hold the window tight against the frame, by a threaded peg and key-operated locknut. It is suitable for most types of windows and small doors. Wedged packing plates are included for tapered frames.



## ORDERING DETAILS

<b>Metlock - Standard Key</b>	
White - 2 per card	829-12
Brass - 2 per card	829-32
<b>Transom Lock - Standard Key</b>	
White	825-12
Spare key for Transom Lock	580-56
<b>Sliding Window Lock - Standard Key</b>	
White	824-12
Satin	824-52
Spare key for Sliding Window Lock	584-56
<b>Locking Window Catch - Standard Key</b>	
Satin	828-52
Satin - 4 per card	828-53

### Packaging

Carded complete with full fitting instructions.  
10 cards per carton.

**Contents - Metlock**  
2 locks and 1 key.

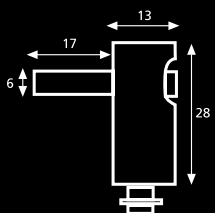
### Contents - Transom Lock

1 lock and 1 key.

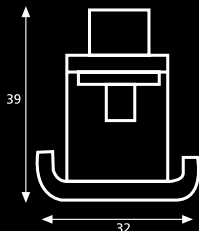
**Contents - Sliding Window Lock**  
1 lock and 1 key.

**Contents - Locking Window Catch**  
Threaded peg, locknut, receiving plate,  
1 key and fixings

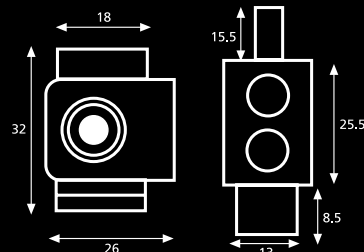
Metlock



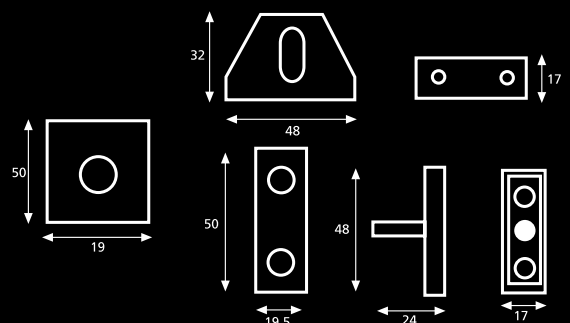
Transom Lock



Sliding Window Lock



Locking Window Catch



## SPECIFICATION

The ERA Securistay is designed specifically with child safety in mind. The Securistay restricts window opening to 75mm (3"). It is manufactured from high tensile aluminium and is available in two finishes. A special key is used to unlock and the lock can only be disconnected when the window is closed.

The Securistay is ideal for high rise buildings as it allows ventilation with security. It is available for both wooden and metal framed windows.

## ORDERING DETAILS

<b>Securistay - Wooden Windows</b>	
White	720-12
Silver	720-72
<b>Securistay - Metal Windows</b>	
White	721-12
Silver	721-72



### Packaging

Individually carded complete with full fitting instructions. 10 cards per carton.

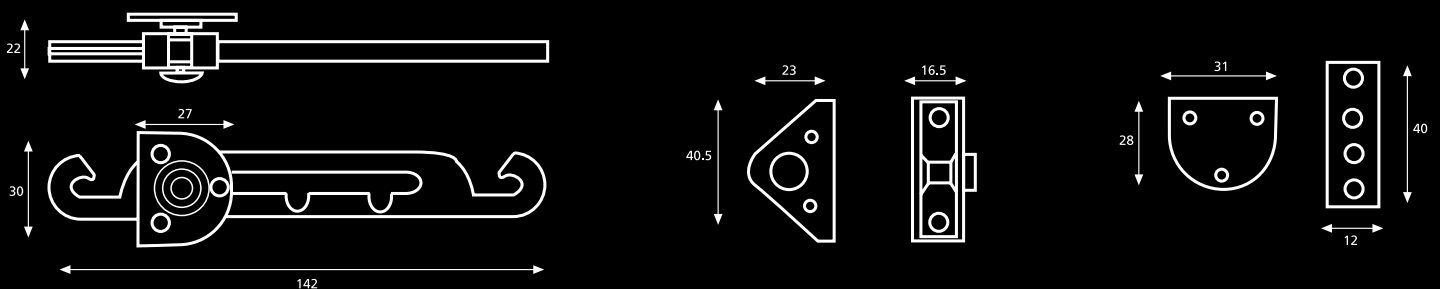
### Contents - Wooden Windows

Securistay, brackets, 1 key, template and fixings.

### Contents - Metal Windows

Securistay, brackets, 1 key and fixings.

Securistay



All dimensions in mm.

# Stays

## STAYLOCK



STAYBOLT

883 LOCKING CASEMENT STAY

823 LOCKABLE STAY

### Packaging

Carded complete with full fitting instructions.  
10 cards per carton.

### Contents - Staylock

2 or 6 threaded pegs, locking nuts, 1 key and fixings.

### Contents - Staybolt

1 or 4 Staybolts, 1 key and fixings.

### Contents - 883 Locking Casement Stay

Stay, locking rest, peg, 1 key and fixings.

### Contents - 823 Lockable Stay

Window Stay, 2 threaded pegs, 2 locking nuts, 1 key and fixings.

## SPECIFICATION

The Era **Staylock** replaces existing pegs with a new, threaded system with locking nut operated by a standard key. It is suitable for wooden casement windows, fitted with most through-peg stays.

The ERA **Staybolt** is suitable for most stays, with or without holes for through-pegs. It fits most wooden casement windows and is fitted with a tamper resistant spring loaded locking system, operated by key.

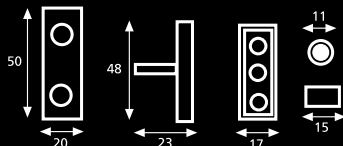
The ERA **883 Locking Casement Stay** complements the **888 range of Locking Window Handles**. The stay is available in two finishes and is suitable for all hinged wooden windows. For convenience both stay and matching handle are operated using the same key.

The ERA **823 Lockable Stay** fits most wooden casement windows and completely replaces any existing stay. Finished in satin aluminium, it incorporates the ERA Staylock. In addition, a second threaded peg provides maximum versatility in the secured open position. The wedged packing plates allow compatibility with tapered frames.

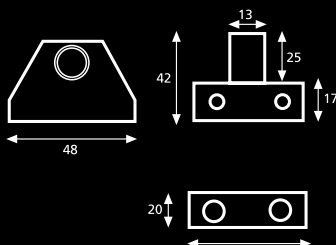
## ORDERING DETAILS

<b>Staylock - Standard Key</b>	
Brass - 2 per card	<b>820-32</b>
Satin - 2 per card	<b>820-52</b>
Satin - 6 per card	<b>820-53</b>
Spare key for Staylock	<b>580-56</b>
<b>Staybolt - Standard Key</b>	
White	<b>827-12</b>
White - 4 per card	<b>827-13</b>
Spare key for Staybolt	<b>587-56</b>
<b>Locking Casement Stay - Standard Key</b>	
White	<b>883-12</b>
Brassed	<b>883-32</b>
<b>Lockable Stay - Standard Key</b>	
Satin	<b>823-52</b>
Spare key for Lockable Stay	<b>580-56</b>

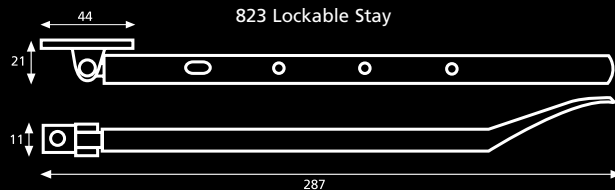
Staylock



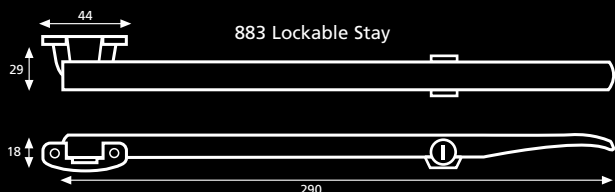
Staybolt



823 Lockable Stay



883 Lockable Stay



All dimensions in mm.



# Locking Handles

## SPECIFICATION

The **ERA 888 Locking Window Handle** is suitable for most wooden windows, and is available in two finishes to complement the **ERA 883 Locking Casement Stay**. The same key operates both handles and its matching stay. The handle can be locked in a night vent position, allowing ventilation with security.

The **ERA 808 Locking Handle** fits most wooden casement windows. It is self-locking, needing the cut key only to unlock. The mechanism allows fully closed locking or partial opening for ventilation.

**888 LOCKING WINDOW HANDLE**



**808 LOCKING HANDLE**

## ORDERING DETAILS

### Locking Handles

#### Standard Key

White **888-12**

Brassed **888-32**

#### Cut Key

White **808-12**

Brassed **808-32**

#### Spare Keys for 808 Locking Handle

Cut Key **591-56**

Key Blank **682-56**

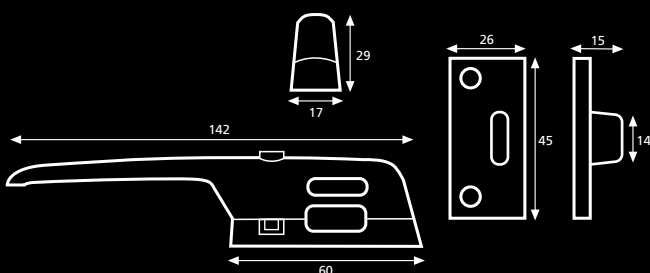
### Packaging

Individually carded complete with full fitting instructions. 10 cards per carton.

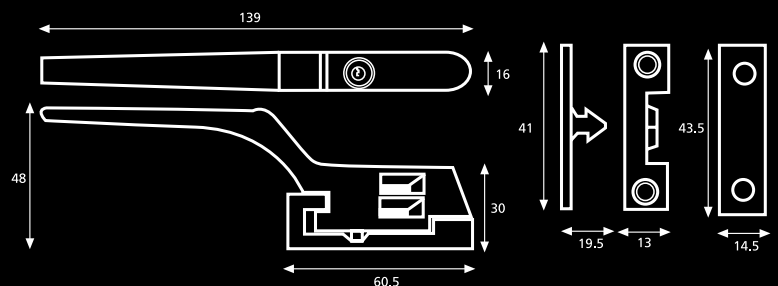
### Contents

Locking handle, receiving plate, 1 key and fixings.

888 Locking Window Handle



808 Locking Handle



All dimensions in mm.

# PVCU Window Locks

**VENTILATION LOCK**



**SASH JAMMER**



**SASH JAMMER LOCK**

**Packaging**  
1 per card.

**Contents - Sash Jammer**  
Sash Jammer, Sash Jammer Lock, key and 3 packers.  
**Contents - Ventilation Lock**  
Ventilation Lock, 2 packers.

## SPECIFICATION

The **ERA Sash Jammer** is ideal additional security for PVCU windows. It is simple to operate and easy to fit, and is non-handed for use on all applications. It is available as a standard product or with a key lock to secure the arm in place when the window is closed. If the home is left unoccupied for any length of time the key lock is ideal to ensure the windows are completely protected. The **ERA Sash Jammer** can also be fitted to a door, to provide excellent additional security.

The **ERA Ventilation Lock** has been designed especially for PVCU windows and doors. With its shaped and robust styling the ventilation lock is an excellent home safety device allowing the window to be opened for air flow but remain locked preventing entry through the window. It is simple and easy to use with no key required.

It can be used on PVCU doors in the same way that a door chain is used, but as there is no chain, the door will not be scratched. As the product is non-handed it can be used for inward and outward opening doors.

The ventilation lock is available in white and two different packing pieces are provided to cater for the differing heights between the leaf and frame.

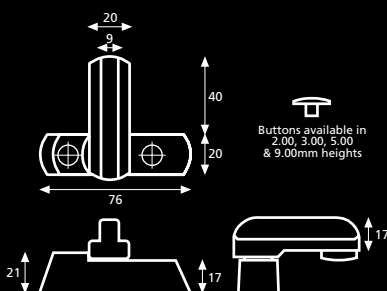
## ORDERING DETAILS

<b>Sash Jammer - Pre-Packed</b>	
White (includes lock)	<b>816-12</b>
Brown (includes lock)	<b>816-22</b>
<b>Sash Jammer - Bulk</b>	
White - Body only	<b>816-15</b>
White - Lock only	<b>817-15</b>
Brown - Body only	<b>816-25</b>
Brown - Lock only	<b>817-25</b>
<b>2mm Packer for Sash Jammer</b>	
White	<b>818-16</b>
Brown	<b>818-26</b>
<b>Ventilation Lock</b>	
White	<b>812-12</b>
White - Bulk	<b>812-15</b>
Brown	<b>812-22</b>
Brown - Bulk	<b>812-25</b>

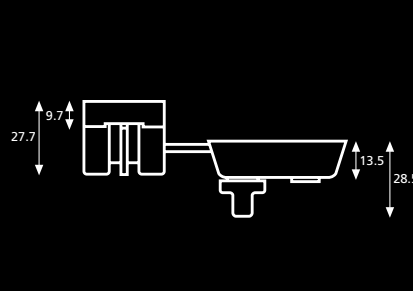
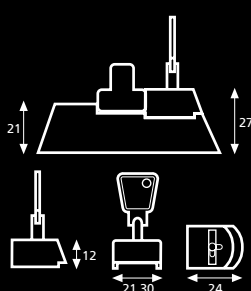
**Sash Jammer**

**Sash Jammer Lock**

**Ventilation Lock**



Buttons available in  
2.00, 3.00, 5.00  
& 9.00mm heights



# Packaging, Display Models and Merchandisers

## PACKAGING

A new variety of packaging has been launched with new style graphics and photography. The packaging is user and environmentally friendly. Pack types include:

- Box
- Clam pack
- Blister pack



## DISPLAY MODELS

ERA offers a range of working models to help you demonstrate to your customers the application and features of each product in situ. ERA Mortice Lock models feature a clear acrylic body\* to show the assembly and operation of the internal lock mechanism. Each model is mounted on an attractive hardwood and is clearly marked with the relevant product details.

*Note: Working models illustrated may change in appearance.*

\*Not illustrated



## SHOWBOARD

ERA Showboards feature the principal ERA products, allowing your customers to handle the products without damaging display packs. The boards can be wall mounted or displayed on counter tops using the built in stand. Simple illustrations demonstrate the various uses of the products.

Dimensions:

Length 655mm x Height 353mm



## MERCHANDISERS

Stand alone merchandisers are available to display ERA products, in either 2ft or 4ft format. The pegs allow for the blister packs and clam packs to be displayed most effectively.

- Overhead display for strong branding and clear information
- Flexible pegboard system allows you to promote the right product mix for your customers
- Based on a standard 4ft display module to fit most existing display runs
- Complements most colour schemes

*Note: 4ft merchandiser illustrated*

