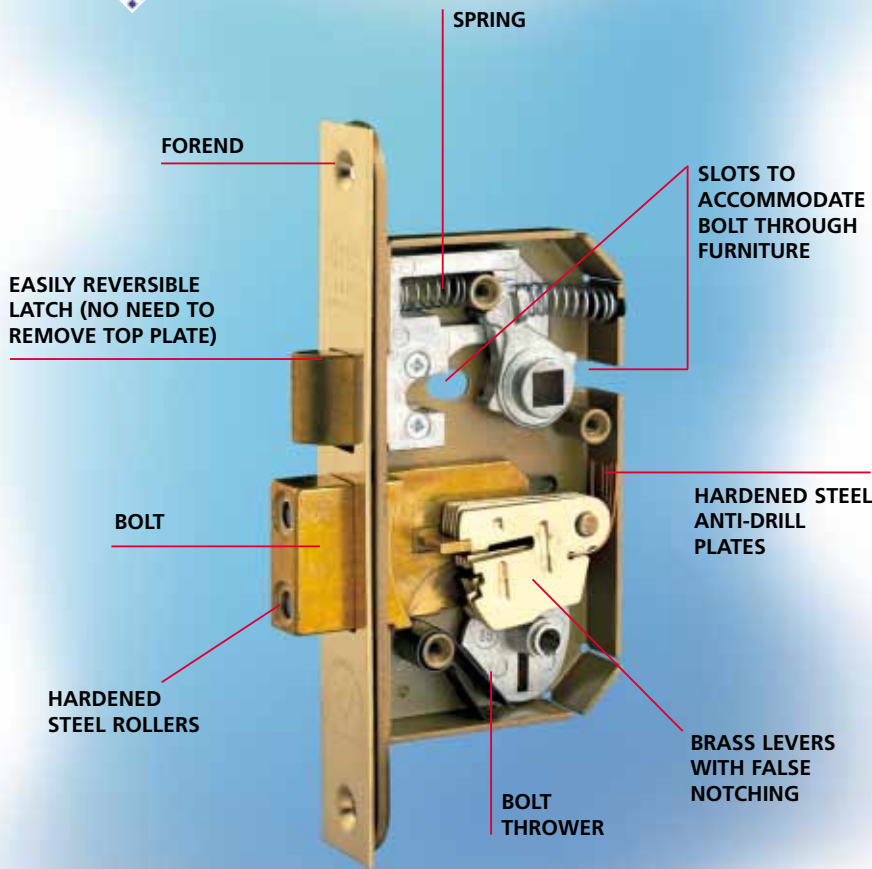


ERA British Standard Mortice Locks



ERA British Standard Mortice Locks are manufactured to conform to the BSI Specification for Thief Resistant Locks - BS3621:1998. This standard was created by a Standards Committee comprising of representatives from the police, government departments, local authorities, architects, window and door manufacturers and locksmiths. It provides a reference for type-testing and certification of thief resistant locks.

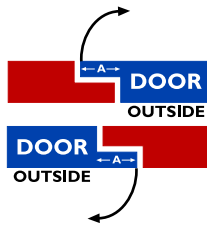
Before the standard is awarded to a mechanical key operated lock, designed for fixing to hinged or sliding doors, it has to be passed by an independent panel of locksmith experts.

Once a lock has been accredited with the BS3621:1998 standard, it is recognised as giving the maximum protection generally available to the majority of both domestic and commercial premises. Many insurance companies recognise this and reduce premiums accordingly, whilst some will provide cover only if such locks are fitted.

For a lock to be awarded BS3621:1998 it has to achieve the following criteria;

- At least 1000 different key patterns (differs) and 999 different locks must be made before any key pattern can be used again.
- There must be at least 5 moveable levers used. If fewer than 9 levers are fitted there must be additional anti-picking precautions incorporated (such as false notching).
- If a key can be used on both sides of a door, both sides must offer equal security.
- Handles and knobs must not operate the bolt when deadlocked.
- Deadlocking must be effective before the key can be removed.
- The bolt must project not less than 14mm when locked.
- Both sides of the lock body must be protected by anti-drilling plates.
- Vulnerable fixing screws on all parts of the lock, cylinder and staple must be concealed or inoperable when the door is locked.

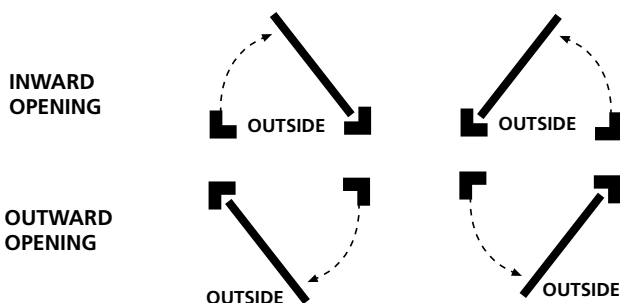
CROSS SECTION OF REBATED DOORS



REBATE SETS

For French doors, when a Mortice Deadlock or Sashlock is fitted, a Rebate Set should also be fitted to ensure secure closing. The measurement "A" must be either 1/2" or 1" whereupon the appropriate sized rebate set should be used. Rebate Sets are supplied non-handed for use on either left or right handed fitment.

HANDING OF LOCKS



HANDING OF SASHLOCKS

Hinged doors can open in one of four ways and this will determine whether the door is left or right handed.

All ERA Mortice Sashlocks are supplied handed left. Instructions are supplied for alteration to right handed fitment.

BS Invincible Mortice Locks

SPECIFICATION

The ERA Invincible Range of British Standard 5 Lever Locks are certified to BS3621:1998 and fully meet insurance company requirements for thief resistance. They are recommended by insurance companies and the police.

The **Invincible Sash Lock** features a latch which can be easily reversed without having to remove the cover. The advanced design of this lock is such that critical dimensions for fixing such as backset and hole centres are similar to existing ordinary sash locks allowing easy replacement with minimum cutting and drilling of doors.

The **Invincible Dead Lock** features an in-line arrangement of the bolt, bolt stump and levers when the bolt is in the locked position. This is a continuous and near-impregnable line of metal to resist jemmying. Hardened steel rollers in the bolt resist hacksawing.

The keys, manufactured from manganese bronze, have over 1,000 variations for added security. All brass levers have false notching to resist lock picking.

ERA Invincible Rebate Sets are available in two sizes - 12.7mm (1/2") and 25.4mm (1") - with a choice of finishes to match forends. Sash Lock Rebate Sets are non-handed to reduce stock-holding. Full fitting instructions are supplied.



5 LEVER SASH LOCK



5 LEVER DEAD LOCK

ORDERING DETAILS

Sash Lock	
Brass 64mm (2 1/2")	210-31
Satin 64mm (2 1/2")	210-51
Brass 76mm (3")	310-31
Satin 76mm (3")	310-51
Dead Lock	
Brass 64mm (2 1/2")	208-31
Satin 64mm (2 1/2")	208-51
Brass 76mm (3")	308-31
Satin 76mm (3")	308-51
Spare Keys - Manganese Bronze	
Cut key	508-06
Key blank	608-06
<i>Above locks are suitable for sprung furniture only</i>	
Sash Lock Rebate Sets	
Brass 12.7mm (1/2") Rebate	402-31
Satin 12.7mm (1/2") Rebate	402-51
Brass 25.4mm (1") Rebate	404-31
Satin 25.4mm (1") Rebate	404-51
Dead Lock Rebate Sets for Invincible Locks	
Brass 12.7mm (1/2") Rebate	400-31
Satin 12.7mm (1/2") Rebate	400-51
Brass 25.4mm (1") Rebate	401-31
Satin 25.4mm (1") Rebate	401-51

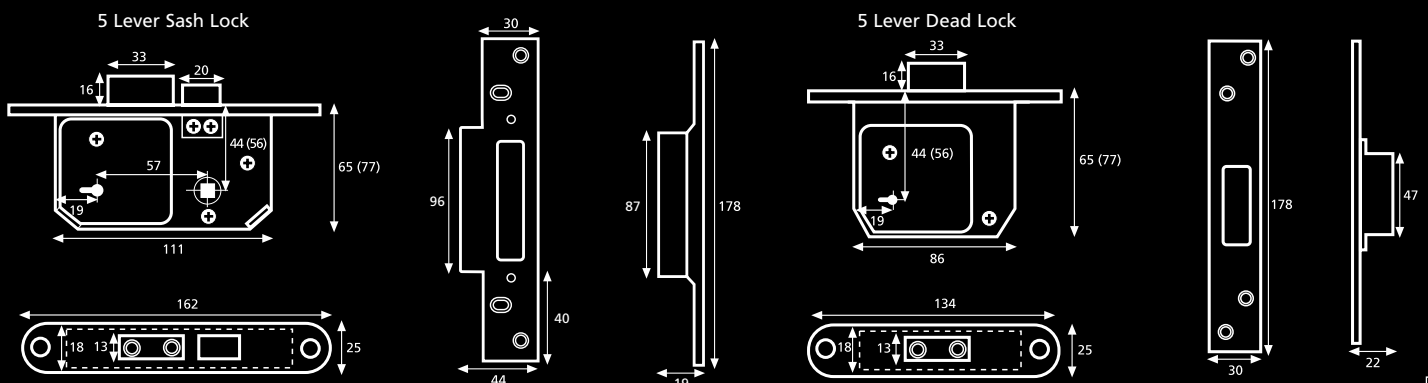
Packaging

The locks are individually boxed complete with full fitting instructions. They are also available clam packed.

Contents

Sash Lock - Lock, forend, striker, 2 keys, fixings and instructions.

Dead Lock - Lock, forend, striker, escutcheon set, 2 keys, fixings and instructions.



All dimensions in mm. Numbers in brackets relate to 3" version of lock

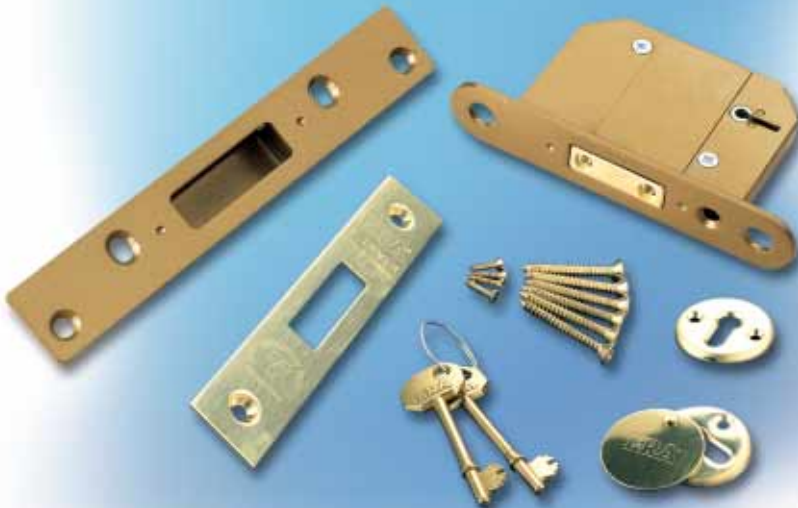
BS Pro-Fit Mortice Locks



SASH LOCK



DEAD LOCK



SPECIFICATION

The **ERA Pro-Fit Range** of British Standard 5 Lever Locks are certified to BS3621:1998 and fully meet insurance company requirements for thief resistance. They are recommended by insurance companies and the police.

The **Pro-Fit Sash Lock** features a latch which can be easily reversed without having to remove the cover.

Both the **Pro-Fit Sash Lock** and the **Pro-Fit Deadlock** have hardened steel plates to resist drilling, and hardened steel rollers in the deadbolt to resist hacksawing.

The keys, manufactured from manganese bronze, have over 1,000 variations for added security. All brass levers have false notching to resist lock picking.

ERA Pro-Fit Rebate Sets are available in two sizes - 12.7mm (1/2") and 25.4mm (1") - with a choice of finishes to match forends. Sash Lock Rebate Sets are non-handed to reduce stock-holding. Full fitting instructions are supplied.

ORDERING DETAILS

Sash Lock	
Brass 64mm (2 1/2")	221-31
Satin 64mm (2 1/2")	221-51
Brass 76mm (3")	321-31
Satin 76mm (3")	321-51
Dead Lock	
Brass 64mm (2 1/2")	220-31
Satin 64mm (2 1/2")	220-51
Brass 76mm (3")	320-31
Satin 76mm (3")	320-51
Sash Lock Rebate Sets	
Brass 12.7mm (1/2") Rebate	436-31
Satin 12.7mm (1/2") Rebate	436-51
Brass 25.4mm (1") Rebate	437-31
Satin 25.4mm (1") Rebate	437-51
Dead Lock Rebate Sets	
Brass 12.7mm (1/2") Rebate	434-31
Satin 12.7mm (1/2") Rebate	434-51
Brass 25.4mm (1") Rebate	435-31
Satin 25.4mm (1") Rebate	435-51
Spare Keys	
Pro-Fit cut key	509-06
Pro-Fit blank key	609-06

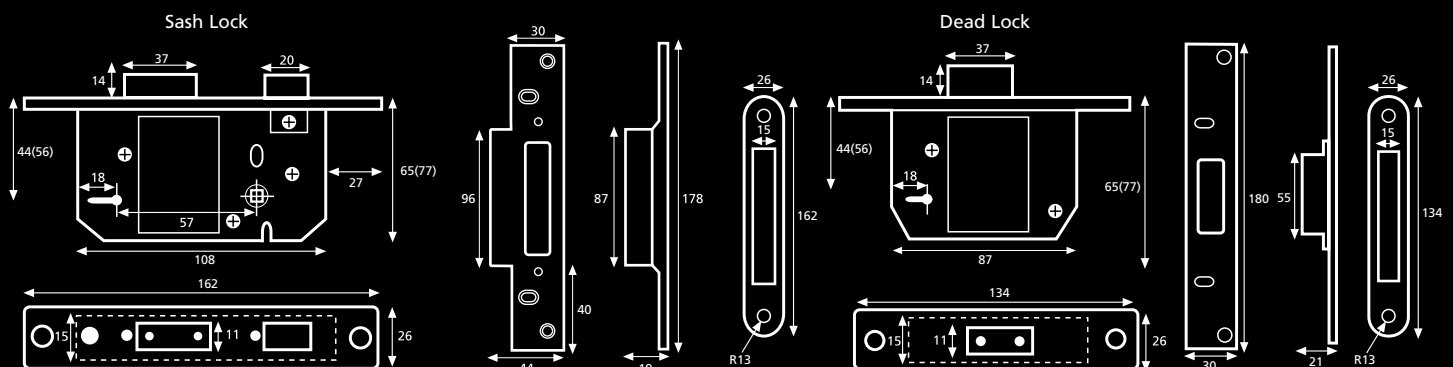
Packaging

The locks are individually boxed complete with full fitting instructions.

Contents

Sash Lock - Lock, forend, striker, 2 keys, fixings and instructions.

Dead Lock - Lock, forend, striker, escutcheon set, 2 keys, fixings and instructions.



All dimensions in mm. Numbers in brackets relate to 3" version of lock

Viscount Range

SPECIFICATION

The ERA 5 Lever Viscount range of door locks are suitable to replace existing 2 and 3 lever door locks. They are available as both Sash and Dead Locks and are tested to BS 5872 Category B Standards*. Ideal for the volume user, the Viscount offers long service in demanding situations and is the right choice for replacement or new build projects.

The Viscount is also available as a rebated lock, suitable for rebated French doors.

Numbered keys are available in addition to the 1000 key variations. The latch is easily reversed. Hardened steel rollers in the bolt resist hacksawing and all brass levers have false notching to resist lock picking.

ERA Viscount Rebate Sets are also available individually, in two sizes - 12.7mm (1/2") and 25.4mm (1"). Sash Lock Rebate Sets are non-handed to reduce stock-holding. Full fitting instructions are supplied.

*Only Sash Lock Sashbolt is tested to BS 5872 Category B Standards.

ORDERING DETAILS

Sash Lock	
Brass 64mm (2 1/2")	202-31
Brass 76mm (3")	302-31
Dead Lock	
Brass 64mm (2 1/2")	201-31
Brass 76mm (3")	301-31
Rebated Sash Lock	
Brass 64mm (2 1/2")	217-32
Spare Keys	
Cut key	509-56
Key blank	609-56
Sash Lock Rebate Sets	
Brass 12.7mm (1/2") Rebate	436-31
Brass 25.4mm (1") Rebate	437-31
Dead Lock Rebate Sets	
Brass 12.7mm (1/2") Rebate	434-31
Brass 25.4mm (1") Rebate	435-31

5 LEVER SASH LOCK



5 LEVER DEAD LOCK

Packaging

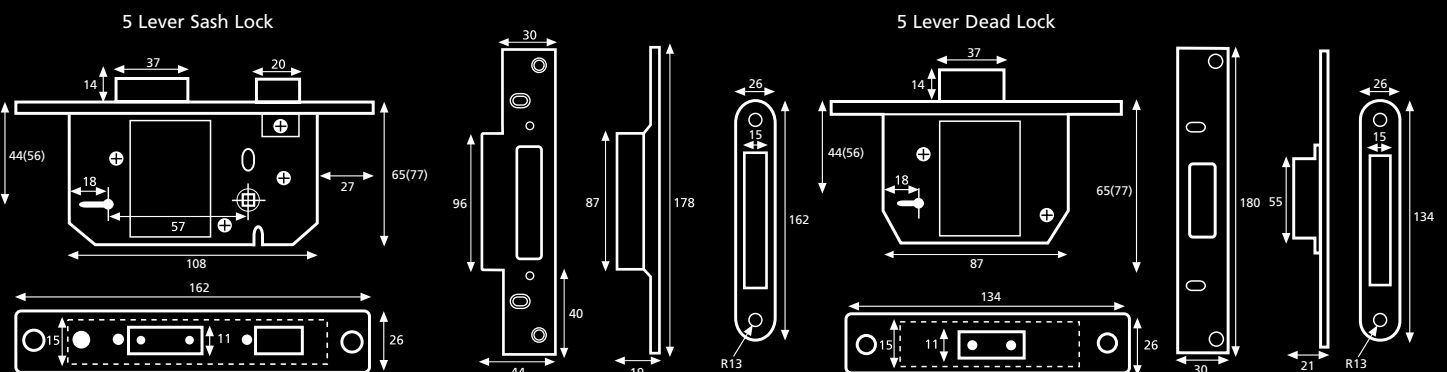
The locks are individually boxed complete with full fitting instructions. They are also available clam packed.

The Rebated Locks are available clam packed only.

Contents

Sash Lock - Lock, forend, striker, 2 keys, fixings and instructions.

Dead Lock - Lock, forend, striker, escutcheon set, 2 keys, fixings and instructions.



All dimensions in mm. Numbers in brackets relate to 3" version of lock

2 and 3 Lever Locks

SPECIFICATION

The ERA Range of 2 and 3 Lever Locks are low cost and offer added security for internal doors and outside applications such as sheds.

The 3 Lever Locks are available as Sash Lock or Dead Lock, 2½" and 3", in both brass and satin finishes. Two numbered steel keys are supplied with over 100 variations.

The 2 Lever Sash Lock is available in 2½" and 3", in both brass and satin finishes. The numbered steel keys are supplied with over 36 variations.

ORDERING DETAILS

2 Lever Sash Lock	
Brass 64mm (2½")	467-32
Brass 76mm (3")	567-32
3 Lever Sash Lock	
Brass 64mm (2½")	471-32
Satin 64mm (2½")	471-52
Brass 76mm (3")	571-32
Satin 76mm (3")	571-52
3 Lever Dead Lock	
Brass 64mm (2½")	470-32
Satin 64mm (2½")	470-52
Brass 76mm (3")	570-32
Spare steel key blank	
Note: Order according to key differ number.	
2 Lever key no.C01-C15	605-56LH
2 Lever key no.C16-C30	605-56RH
3 Lever key no.S01-S 50	605-56LH
3 Lever key no.S51-S100	605-56RH
Rebate Sets	
Brass 12.7mm (½") Rebate for Sash Lock	481-32
Brass 12.7mm (½") Rebate for Dead Lock	480-32

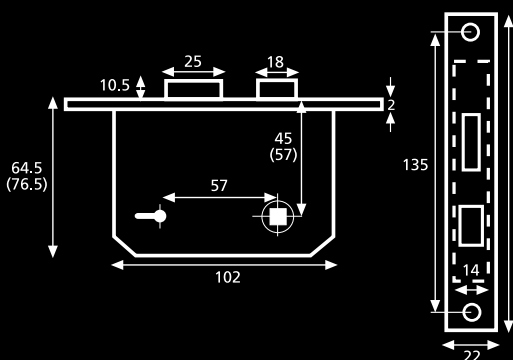


Packaging

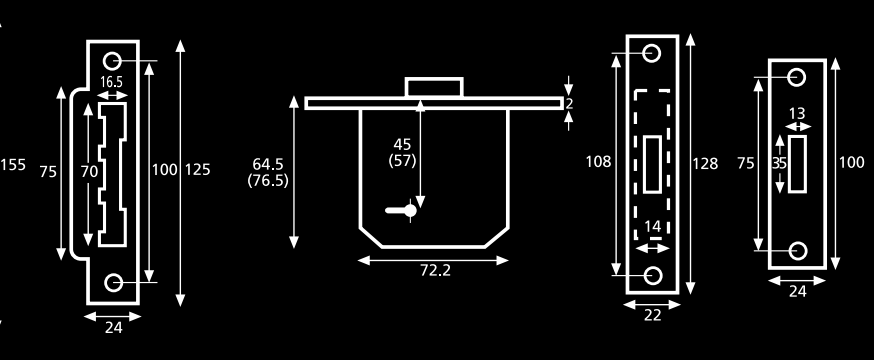
2 and 3 Lever Locks - The locks are individually clam packed with fixings and instructions. Also available boxed.

Contents- 2 and 3 Lever Sash Lock - Lock, forend, striker, 2 keys, fixings and instructions.

2 and 3 Lever Sash Lock



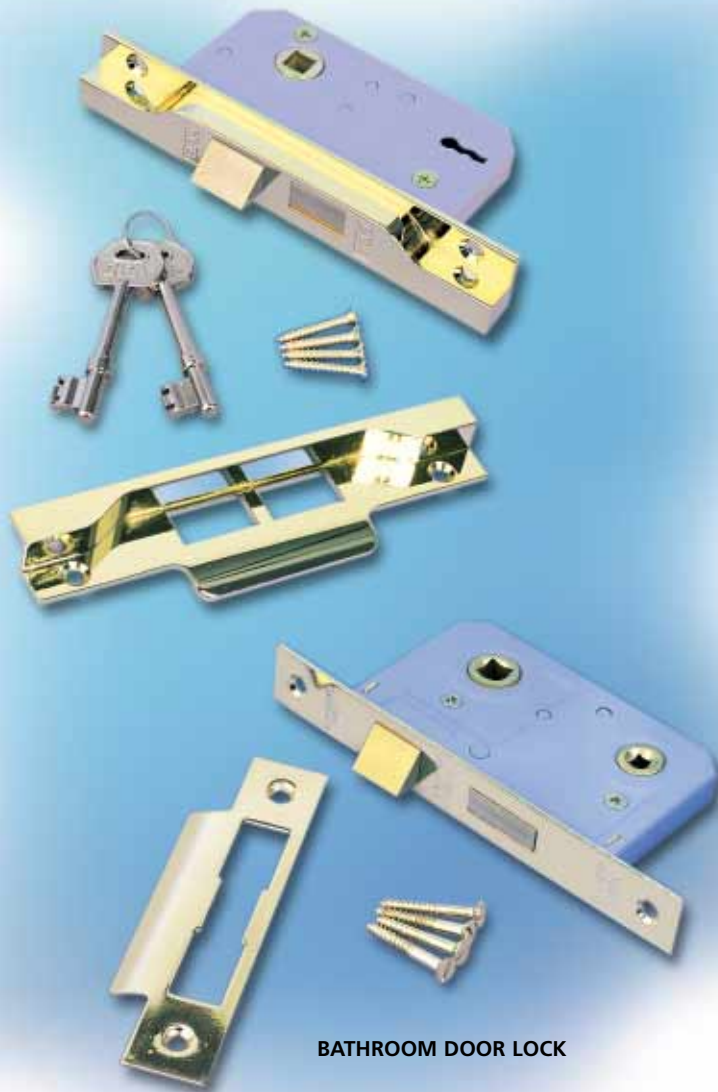
3 Lever Dead Lock



All dimensions in mm. Numbers in brackets relate to 3" version of lock

Rebated & Bathroom Door Lock

REBATED DOOR LOCK



BATHROOM DOOR LOCK

Packaging

The locks are individually clam packed complete with full fitting instructions.

Contents

Rebated Door Lock - Lock, striker, 2 keys, fixings and instructions.

Bathroom Door Lock - Lock, striker, fixings and instructions.

SPECIFICATION

The **ERA Rebated Door Lock** is ideally suited for 13mm (1/2") Rebated French Doors.

Available in both brass and satin finish, the Rebated Door Lock features a reversible forend and sashbolt allowing fixing to both left or right hinged, inward or outward opening doors.

The 2 Lever Rebated Door Lock is supplied with 2 cut keys.

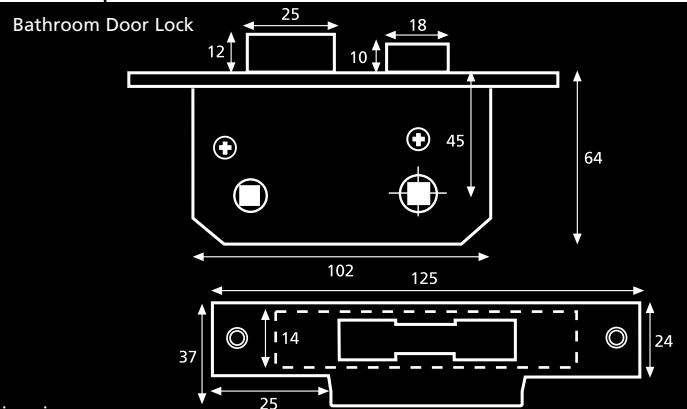
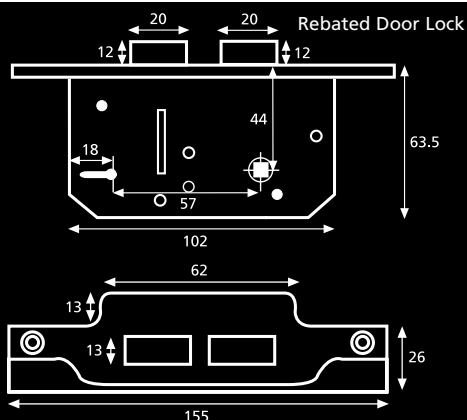
The **ERA Bathroom Door Lock** has been specially designed for bathroom doors.

Available in both brass and satin finish, the Bathroom Lock features a deadbolt which is operated by a thumb turn handle. The latch bolt can be easily reversed, fitting both left or right hinged inward or outward opening doors.

ORDERING DETAILS

Rebated Door Lock	
Brass 64mm (2 1/2")	270-32
Satin 64mm (2 1/2")	270-52
Brass 76mm (3")	370-32
Satin 76mm (3")	370-52
Bathroom Door Lock	
Brass 64mm (2 1/2")	240-32
Satin 64mm (2 1/2")	240-52
Brass 76mm (3")	340-32
Satin 76mm (3")	340-52

Rounded forends and keeps available please contact for more information



All dimensions in mm.