

## Mortice Locks Index

- *Introduction* M2
- *Features and Functions* M3
- Mortice Locks**
- *Photo Gallery* M4
- *Range Table* M5
- *Range Details* M6 - 11
- Architectural Mortice Locks**
- *Photo Gallery* M12
- *Range Table* M13
- *Range Details* M14 - 16
- UK Case Architectural**
- *Photo Gallery* M17
- *Range Table* M17
- *Range Details* M18 - 19

*Note: We have made every effort to ensure that at the time of going to print all information shown in this catalogue is correct. However, in our efforts to continually improve our products and offer only the highest levels of security and quality we reserve the right to make alterations to the product specifications shown in this catalogue. All dimensions provided within this catalogue are approximate and for guidance only.*

## Introduction

The Yale name has been synonymous with mortice locks for over one hundred and seventy five years.

Today Yale offer a comprehensive range for both architectural specification and residential use.

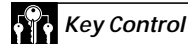
These include lever and cylinder locks, some kitemarked to BS3621 for use on external doors as well as standard variants for internal and general purpose doors.



*Yale is accredited with and meets the requirements of BS EN ISO 9001: 1994*

## Keying Groups

Throughout the catalogue you will see a column headed.



The information shown under this heading can help you identify which products can be Keyed Alike or Masterkeyed.

The products that can be keyed to work with other products are given a group code.

**KA** - means the product can be **Keyed Alike** with more of the same product.

**MK** - means the product can be **Masterkeyed** with more of the same product.

A Group Letter (eg **A**) means the product can be **Keyed Alike** or **Masterkeyed** with more of the same product and with other products listed in the same group.

For the complete range of products and their keying groups, see the chart in the introduction section.

## Keys

2 keys are supplied as standard, however see the price list for any variations.

## How to Specify

Yale have developed a series of icons to enable the process of product specification to be simplified.

From today you can specifically detail your requirements for a product, therefore ensuring that it includes particular security features.

**Example:** If you require a mortice lock that has hardened protection against drill attack, look for the Drill Resistant icon (number 2) in the range table.

*Yale, Simplifying the Specification Process.*

## Standards & Approvals



*Products endorsed with the Kitemark have passed a strict testing procedure under the control of the British Standards Institution.*



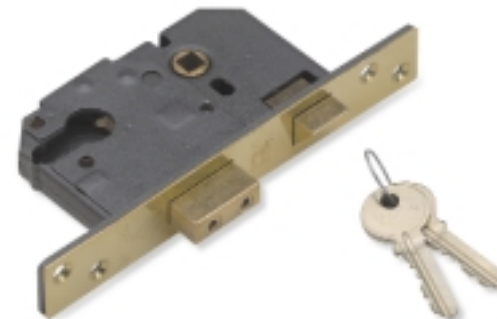
*The Master Locksmiths Association provides guidelines covering minimum security levels for domestic properties.*



*The Association of British Insurers provides minimum security recommendations for external doors and windows.*



*The National House Building Council offers general guidance on security for dwellings, flats and maisonettes.*

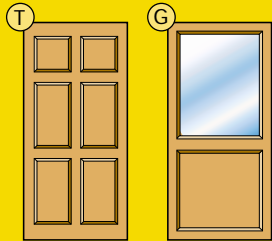


## Security Features

- 1 **Protected Section**  
*Products are available as an option on a patented key section.*
- 2 **Drill Resistant**  
*Hardened protection against drill attack.*
- 3 **Saw Resistant**  
*Hardened protection against saw attack.*
- 4 **Force Resistant**  
*Built in strength against force attack.*
- 5 **Pick Resistant**  
*Built in protection to resist picking.*
- 6 **Torque Resistant**  
*Built in strength against torque attack.*
- 7 **Tamper Resistant**  
*Built in protection against Tampering.*
- 8 **Corrosion Resistant**  
*Products conform to appropriate anti-corrosion requirements.*
- 9 **Fire Resistant**  
*Products conform to appropriate fire test requirements.*
- 10 **Escape**  
*Products for use on an escape door.*
- 11 **Key Control**  
*The products can be included in a key control system.*
- 12 **Guarantee**  
*Products are guaranteed for a period of time.*

## What Type of Door ?

- A comprehensive range of locks for both exterior and interior glass panelled or solid timber doors.

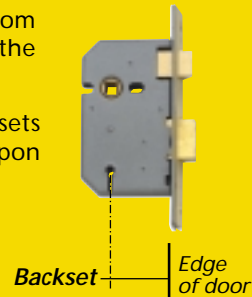


### Door Types

- T** Solid Timber
- G** Glass Panelled

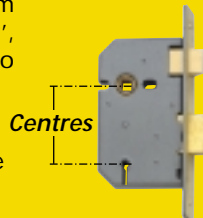
## What is Backset?

- This is the measurement from the edge of the door to the centre of the keyhole.
- Locks with different backsets are available depending upon application.



## What are Centres?

- This is the measurement from the centre of the 'follower', which operates the handles, to the centre of the keyhole.
- In the UK this is commonly 57mm, although other sizes are available.



## Features and Functions

### Deadlocking

Locking the bolt so that it cannot be forced back.



**Automatic**  
(every time the door is closed it is deadlocked)



**Key**  
(external operation)



**Key**  
(internal operation)



**Thumbturn**

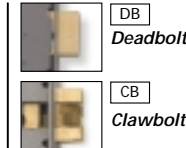
### Locking Mechanism =

the means by which the door is held closed



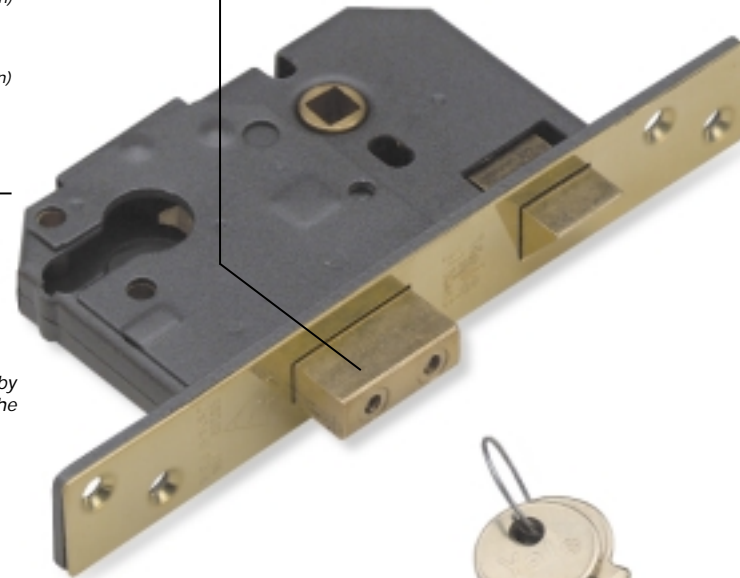
**L**  
Latch

**DL/L**  
Deadlocking Latch



**DB**  
Deadbolt

**CB**  
Clawbolt



**BS3621**  
Recommended by the Police and the Insurance Companies

### Operating Mechanism=

The means by which the lock is operated



**Lever**



**Euro Cylinder**



**Round Cylinder**

**PS** **Protected Section**  
Available on a patented key section.

**Drill Resistant**  
Selected hardened or tough materials to resist drill attack.

**Saw Resistant**  
Hardened steel bolt, plates or hardened rollers.

**Force Resistant**  
Box Strike to protect the bolts.

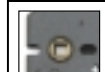
**Pick Resistant**  
Locking mechanism incorporates pick resistant device(s).

**Escape**  
A single action withdraws all the bolts simultaneously

**Key Control**  
Products are Masterkeyble (MK) or able to be Keyed Alike (KA).

**Guarantee**  
Guarantee period applicable when used with original Yale Keys and maintenance instructions followed.

### Bolt Through Fixing



**Handles**



**Security Rose**

**Finishes:** Brass Satin

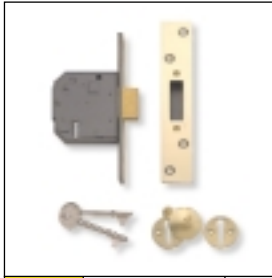
\*All locks are supplied complete with two keys as standard.

**Ideal for Use with:** Cylinder Rimlocks & Access Control Systems



# Mortise Locks

## 5 Lever

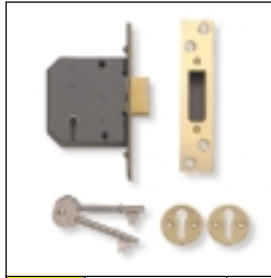


**Yale** M562 Page M6



**Yale** M560 Page M6

## 5 Lever

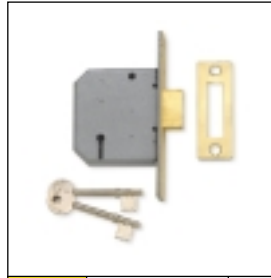


**Yale** M552 Page M6



**Yale** M550 Page M6

## 3 Lever



**Yale** M322 Page M7



**Yale** M320 Page M7



**Yale** M324 Page M7

## 2 Lever



**Yale** M246 Page M7



**Yale** M236 Page M8

## Mortise Latches



**Yale** M888 Page M8



**Yale** M666 Page M8

## High Security Locks



**Yale** 3020 Page M9



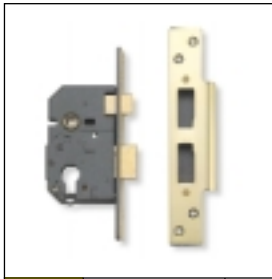
**Yale** 3000 Page M9

## High Security



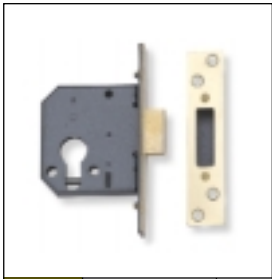
**Yale** 3120 Page M9

## High Security

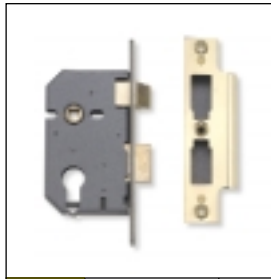


**Yale** 3100 Page M9

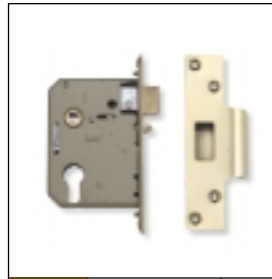
## Security Cylinder Mortice



**Yale** 3220 Page M10



**Yale** 3200 Page M10



**Yale** 3600 • 3610 Page M10

## Narrow Stile Locks



**Yale** 4101 Page M10



**Yale** 4102 Page M11



**Yale** 4103 Page M11



### Yale High Security

<i>M562 5 Lever Deadlock</i>	●	●	●	●			15	DB		Key	Key	67/80mm	45/57mm	n/a	●	●
<i>M560 5 Lever Sashlock</i>	●	●	●	●			15	L, DB	●	Key	Key	67/80mm	45/57mm	57mm	●	●

### Yale Security

<i>M552 5 Lever Deadlock</i>		●	●				10	DB		Key	Key	65/78mm	45/57mm	n/a	●	●
<i>M550 5 Lever Sashlock</i>		●	●				10	L, DB	●	Key	Key	65/78mm	45/57mm	57mm	●	●

### Yale Standard

<i>M322 3 Lever Deadlock</i>		●					10	DB		Key	Key	65/78mm	45/57mm	n/a	●	●
<i>M320 3 Lever Sashlock</i>		●					10	L, DB	●	Key	Key	65/78mm	45/57mm	57mm	●	●
<i>M324 3 Lever Clawbolt</i>							10	CB		Key	Key	65/78mm	45/57mm	n/a	●	●
<i>M246 2 Lever Sashlock</i>							5	L, DB		Key	Key	63/76mm	45/57mm	57mm	●	●
<i>M236 Bathroom</i>							5	L, DB		Turn	Emer Key	62/76mm	45/57mm	57mm	●	●
<i>M888 Tubular Latch</i>							5	L	n/a			64/76mm	45/57mm	n/a	●	Zinc
<i>M666 Catch</i>							5	Catch	n/a			40mm	n/a	n/a		Black

### Yale High Security Cylinder

<i>3020 Deadlock</i>		●	●	●	●		15	DB	▲	Key	Key	67/80mm	45/57mm	n/a	●	●
<i>3000 Sashlock</i>		●	●	●	●		15	L, DB	●▲	Key	Key	67/80mm	45/57mm	48mm	●	●
<i>3120 Deadlock</i>	O	●	●	●	n/a	A, B	10	DB	▲	Key/Turn	Key	64/76mm	45/57mm	n/a	●	●
<i>3100 Sashlock</i>	O	●	●	●	n/a	A, B	10	L, DB	●▲	Key/Turn	Key	64/76mm	45/57mm	48mm	●	●

### Yale Security Cylinder

<i>3220 Deadlock</i>	O		●	●	n/a	A, B	10	DB	▲	Key/Turn	Key	64/76mm	45/57mm	n/a	●	●
<i>3200 Sashlock</i>	O		●	●	n/a	A, B	10	L, DB	●▲	Key/Turn	Key	64/76mm	45/57mm	48mm	●	●
<i>3600 Mortice Nightlatch</i>	O			●	n/a	A, B	10	D/L L		Auto	Auto	76mm	57mm	48mm	●	●
<i>3610 Mortice Nightlatch</i>	O		●	●	n/a	A, B	10	D/L L		Auto	Auto	76mm	57mm	48mm	●	●

### Yale Narrow Stile

<i>4101 Swingbolt</i>	O				n/a	A, B	10	DB		Key/Turn	Key	41.4/45mm	24.6/28.6mm	n/a		●
<i>4102 Hookbolt</i>	O				n/a	A, B	10	DB		Key/Turn	Key	41.4/45mm	24.6/28.6mm	n/a		●
<i>4103 Nightlatch</i>	O				n/a	A, B	10	D/L L		Auto	Auto	41.4/45mm	24.6/28.6mm	n/a		●

Locking Mechanism	Bolt Through Fixings	Locking		Door Specification			Finishes		
		Internal	External	Case Size	Back Set	Centres	Brass	Satin	Other
DB		Key	Key	67/80mm	45/57mm	n/a	●	●	
L, DB	●	Key	Key	67/80mm	45/57mm	57mm	●	●	
DB		Key	Key	65/78mm	45/57mm	n/a	●	●	
L, DB	●	Key	Key	65/78mm	45/57mm	57mm	●	●	
DB		Key	Key	65/78mm	45/57mm	n/a	●	●	
L, DB	●	Key	Key	65/78mm	45/57mm	57mm	●	●	
CB		Key	Key	65/78mm	45/57mm	n/a	●	●	
L, DB		Key	Key	63/76mm	45/57mm	57mm	●	●	
L, DB		Turn	Emer Key	62/76mm	45/57mm	57mm	●	●	
L	n/a			64/76mm	45/57mm	n/a	●		Zinc
Catch	n/a			40mm	n/a	n/a			Black
DB	▲	Key	Key	67/80mm	45/57mm	n/a	●	●	
L, DB	●▲	Key	Key	67/80mm	45/57mm	48mm	●	●	
DB	▲	Key/Turn	Key	64/76mm	45/57mm	n/a	●	●	
L, DB	●▲	Key/Turn	Key	64/76mm	45/57mm	48mm	●	●	
D/L L		Auto	Auto	76mm	57mm	48mm	●	●	
D/L L		Auto	Auto	76mm	57mm	48mm	●	●	
DB		Key/Turn	Key	41.4/45mm	24.6/28.6mm	n/a		●	
DB		Key/Turn	Key	41.4/45mm	24.6/28.6mm	n/a		●	
D/L L		Auto	Auto	41.4/45mm	24.6/28.6mm	n/a		●	

# Lever Mortice Locks

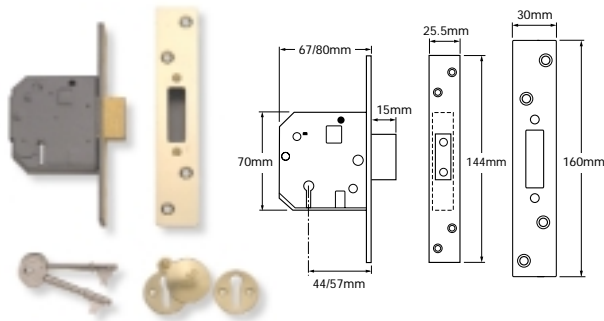
## High Security 5 Lever

### Yale M562 5 Lever BS Deadlock

- Kitemarked to BS3621. Recommended by insurance companies and the police.
- 67mm (2½") and 80mm (3") case sizes available.
- Deadbolt locked or unlocked by key from either side.



BS3621:1980

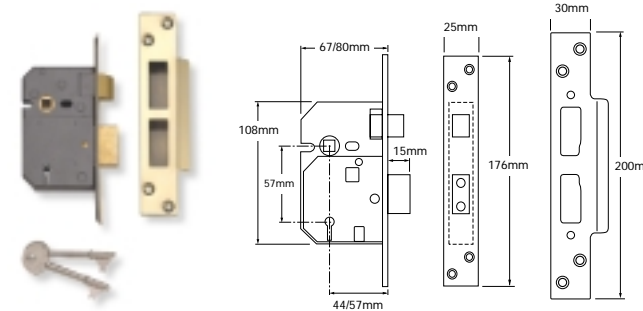


### Yale M560 5 Lever BS Sashlock

- Kitemarked to BS3621. Recommended by insurance companies and the police.
- 67mm (2½") and 80mm (3") case sizes available.
- Deadbolt locked or unlocked by key from either side.
- Latchbolt withdrawn by lever handle from either side.
- Pierced to accept bolt through furniture.



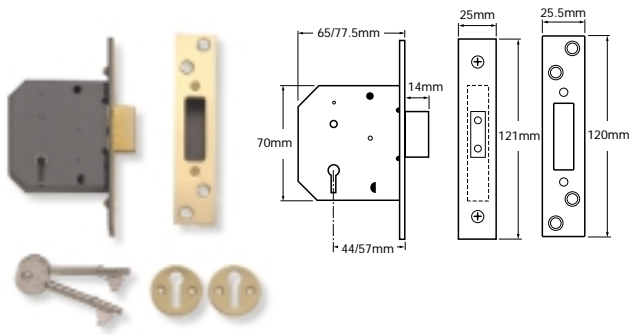
BS3621:1980



## Security 5 Lever

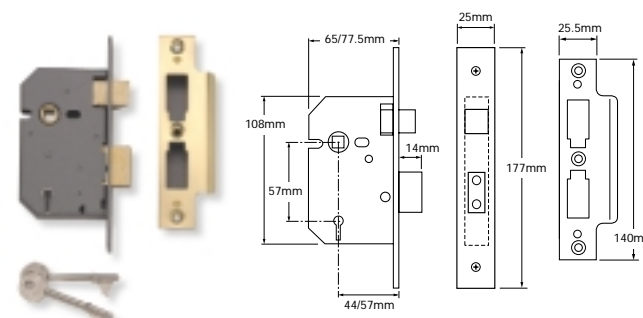
### Yale M552 5 Lever Deadlock

- 5 lever mechanism, suitable for use on external doors.
- 65mm (2½") and 77.5mm (3") case sizes available.
- Deadbolt locked or unlocked by key from either side.



### Yale M550 5 Lever Sashlock

- 5 lever mechanism, suitable for use on external doors.
- 65mm (2½") and 77.5mm (3") case sizes available.
- Deadbolt locked or unlocked by key from either side.
- Latchbolt withdrawn by lever handle from either side.
- Pierced to accept bolt through furniture.



	M562	M560	M552	M550
<b>Security Features</b>				
Protected Section				
Drill Resistant	•	•		
Saw Resistant	•	•	•	•
Force Resistant	•	•	•	•
Pick Resistant	•	•		
Escape				
Key Control				
Guarantee	15	15	10	10

<b>Security Features</b>				
Locking Mechanism	DB	L, DB	DB	L, DB
Bolt Through Fixings		•		•
Deadlocking Internal	Key	Key	Key	Key
Deadlocking External	Key	Key	Key	Key

<b>Door Specification</b>				
Case Size (mm)	67/80mm	67/80mm	65/77.5mm	65/77.5mm
Backset (mm)	45/57mm	45/57mm	45/57mm	45/57mm
Centres (mm)	n/a	57mm	n/a	57mm

<b>Finishes</b>				
Brass	•	•	•	•
Satin	•	•	•	•
Other				

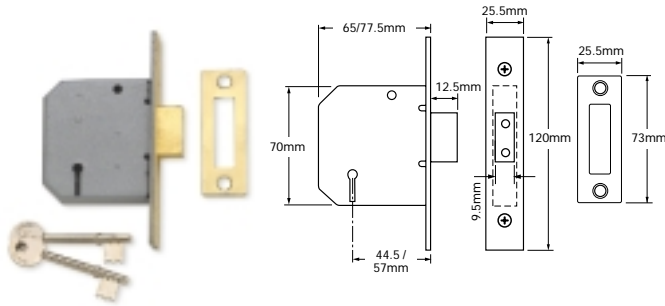


# Lever Mortice Locks

## Standard 3 Lever

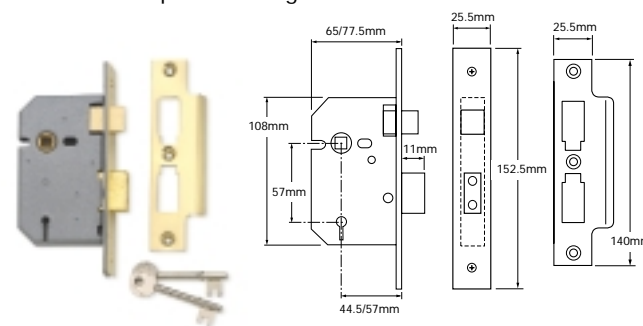
### Yale M322 Deadlock

- 3 lever mechanism, suitable for use on internal doors.
- 65mm (2 1/2") and 77.5mm (3") case sizes available.
- Deadbolt locked or unlocked by key from either side.



### Yale M320 Sashlock

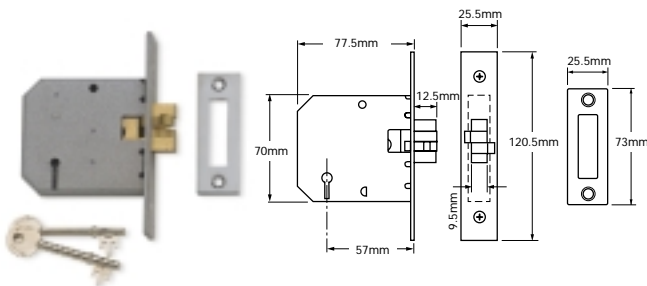
- 3 lever mechanism, suitable for use on internal doors.
- 65mm (2 1/2") and 77.5mm (3") case sizes available.
- Deadbolt locked or unlocked by key from either side.
- Latchbolt withdrawn by lever handle from either side.
- Pierced to accept bolt through furniture.



## 3 Lever

### Yale M324 Mortice Deadlock for Sliding Doors

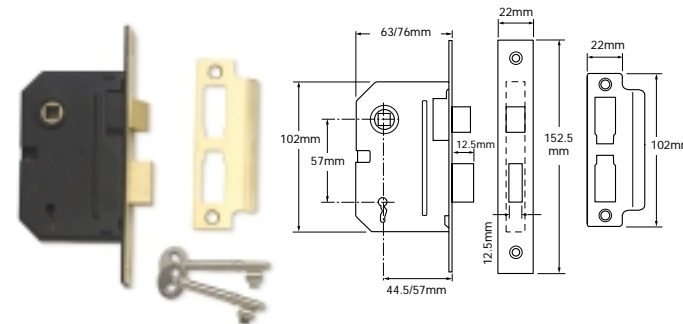
- 3 lever mechanism, suitable for use on internal doors.
- 77.5mm (3") case sizes only available.
- Claw deadbolt locked or unlocked by key from either side.



## 2 Lever

### Yale M246 Mortice lock

- 2 lever mechanism, suitable for use on internal doors.
- 63mm (2 1/2") and 76mm (3") case sizes available.
- Deadbolt locked or unlocked by key from either side.
- Latchbolt withdrawn by lever handle from either side.



	M322	M320	M324	M246
<b>Security Features</b>				
Protected Section				
Drill Resistant				
Saw Resistant	•	•		
Force Resistant				
Pick Resistant				
Escape				
Key Control				
Guarantee	10	10	10	5
<b>Security Features</b>				
Locking Mechanism	DB	L, DB	CB	L, DB
Bolt Through Fixings		•		
Deadlocking Internal	Key	Key	Key	Key
Deadlocking External	Key	Key	Key	Key
<b>Door Specification</b>				
Case Size (mm)	65/77.5mm	65/77.5mm	65/77.5mm	63/76mm
Backset (mm)	45/57mm	45/57mm	45/57mm	45/57mm
Centres (mm)	n/a	57mm	n/a	57mm
<b>Finishes</b>				
Brass	•	•	•	•
Satin	•	•	•	•
Other				

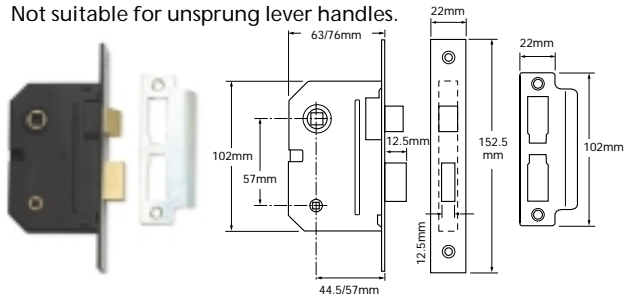
# Lever Mortice Locks

## Bathroom

## Rebate Sets

### Yale M236

- Suitable for use on bathroom doors or other internal doors where privacy is requested.
- 63mm and 76mm case sizes available.
- Latchbolt withdrawn by lever handle from either side.
- Deadbolt locked or unlocked by separate turn from inside.
- Deadbolt locked or unlocked by separate emergency release from outside.
- Not suitable for unsprung lever handles.



### Yale

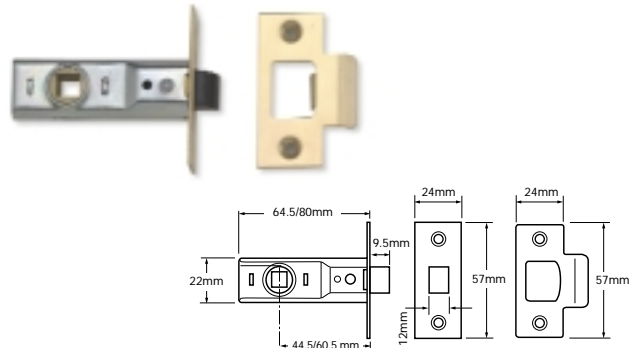
- Different size rebate sets are available to suit the range of Yale lever mortice locks.
- Available in either satin or brass finish.

Model	13mm	25mm	Model	13mm	25mm
M562			M324		
M560			M246		
M552	✓	✓	M236		
M550	✓	✓	3220	✓	✓
M322	✓	✓	3200	✓	✓
M320	✓	✓			

## Mortice Latches

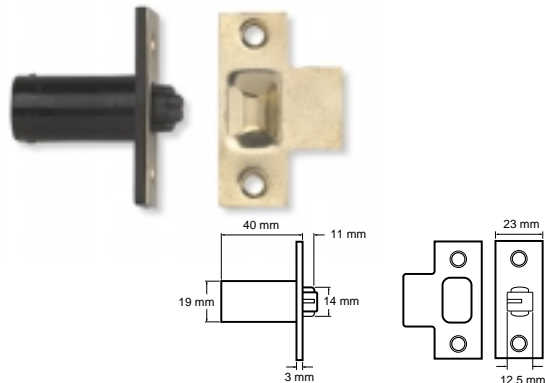
### Yale M888

- Suitable for internal doors where no locking is required.
- 64.5mm and 56mm case sizes available.
- Latchbolt withdrawn by sprung lever handle from either side.
- Not suitable for unsprung lever handles.



### Yale M666

- Suitable for internal doors where no locking is required.
- Roller latch operates on opening and closing the door with a pull handle.



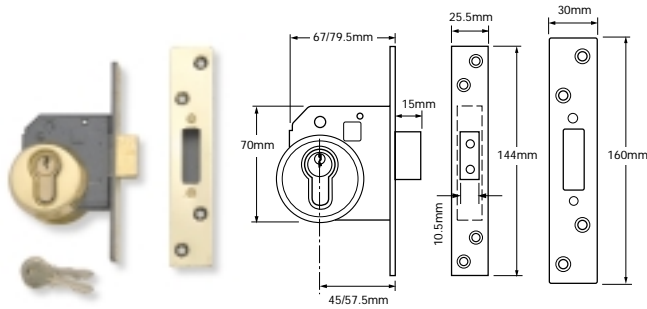
	M236	M888	M666
<b>Security Features</b>			
Protected Section			
Drill Resistant			
Saw Resistant			
Force Resistant			
Pick Resistant			
Escape			
Key Control			
Guarantee	5	5	5
<b>Security Features</b>			
Locking Mechanism	L, DB	L	Catch
Bolt Through Fixings			
Deadlocking Internal	Turn		
Deadlocking External	Emer Key		
<b>Door Specification</b>			
Case Size (mm)	63/76mm	64.5/86mm	40mm
Backset (mm)	44.5/57mm	44.5/57mm	n/a
Centres (mm)	57mm	n/a	n/a
<b>Finishes</b>			
Brass	•	•	
Satin	•		
Other		Zinc	Black

# Cylinder Mortice Locks

## High Security

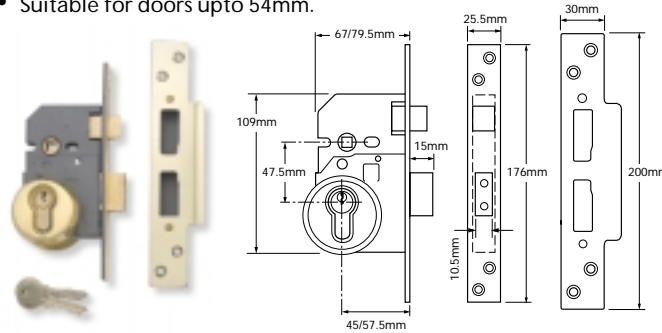
### Yale 3020 Deadlock

- Kitemarked to BS3621.
- 67mm (2 1/2") and 80mm (3") case sizes available.
- Deadbolt locked or unlocked by cylinder key from either side.
- Suitable for doors up to 54mm.



### Yale 3000 Sashlock

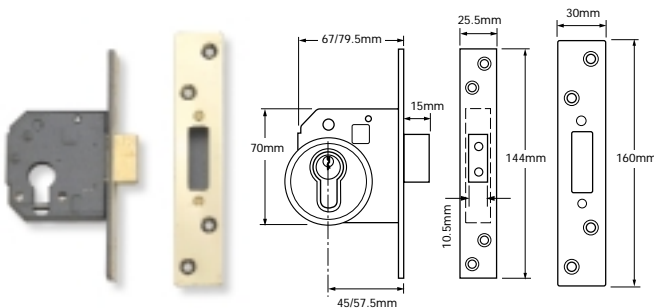
- Kitemarked to BS3621.
- 67mm (2 1/2") and 80mm (3") case sizes available.
- Deadbolt locked or unlocked by cylinder key from either side.
- Latchbolt withdrawn by lever handle from either side.
- Suitable for doors up to 54mm.



## High Security Case Only

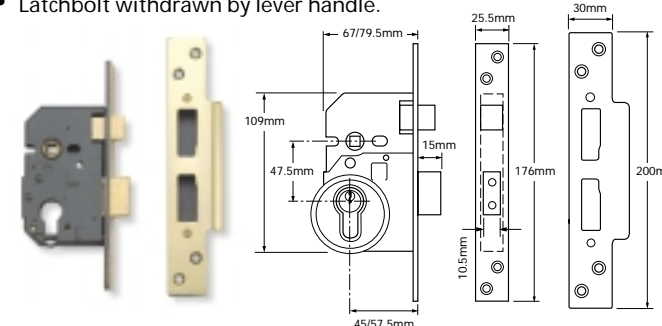
### Yale 3120 Deadlock

- Manufactured to the same high specification as the 3020.
- This heavy duty mortice deadlock case accommodates most euro profile cylinders.
- 67mm (2 1/2") and 80mm (3") case sizes available.
- Deadbolt locked or unlocked by cylinder key or cylinder turn.



### Yale 3100 Doorlock

- Manufactured to the same high specification as the 3000.
- This heavy duty mortice lock case accommodates most euro profile cylinders.
- 67mm (2 1/2") and 80mm (3") case sizes available.
- Deadbolt locked or unlocked by cylinder key or cylinder turn.
- Latchbolt withdrawn by lever handle.



	3020	3000	3120	3100
<b>Security Features</b>				
Protected Section			O	O
Drill Resistant	●	●	●	●
Saw Resistant	●	●	●	●
Force Resistant	●	●	●	●
Pick Resistant	●	●	n/a	n/a
Escape				
Key Control			A, B	A, B
Guarantee	15	15	10	10

	3020	3000	3120	3100
<b>Security Features</b>				
Locking Mechanism	DB	L, DB	DB	L, DB
Bolt Through Fixings	▲	●▲	▲	●▲
Deadlocking Internal	Key	Key	Key/Turn	Key/Turn
Deadlocking External	Key	Key	Key	Key

<b>Door Specification</b>				
Case Size (mm)	67/80mm	67/80mm	67/80mm	67/80mm
Backset (mm)	45/57mm	45/57mm	45/57mm	45/57mm
Centres (mm)	n/a	48mm	n/a	48mm

<b>Finishes</b>				
Brass	●	●	●	●
Satin	●	●	●	●
Other				

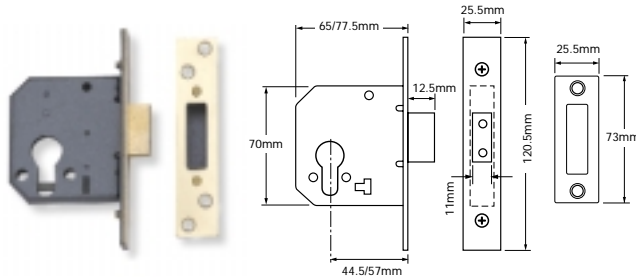


# Cylinder Mortice Locks

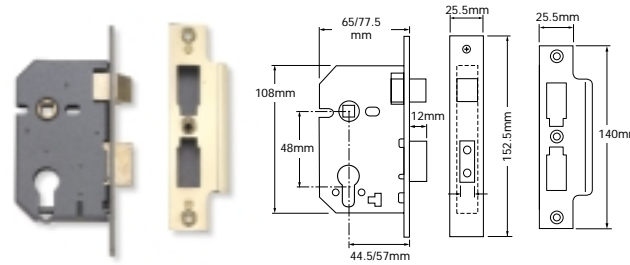
## Security Case Only

### Yale 3220 Deadlock | Yale 3200 Doorlock

- 65mm (2½") and 77.5mm (3") case sizes available.
- Deadbolt locked or unlocked by cylinder key or cylinder turn.



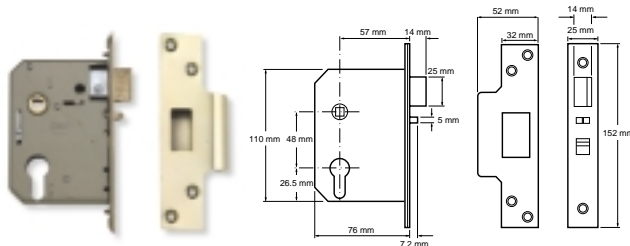
- 65mm (2½") and 77.5mm (3") case sizes available.
- Deadbolt locked or unlocked by cylinder key or cylinder turn.
- Latchbolt withdrawn by lever handle.
- Pierced to accept bolt through furniture.
- Suitable for use with some types of unsprung furniture.



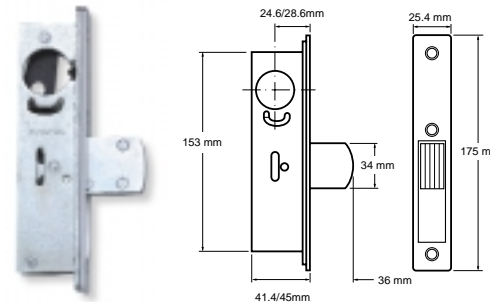
## Security Case Only

### Yale 3600 • 3610 | Yale 4101

- 76mm (3") case size available.
- Latchbolt operated by key from outside, key or thumbturn from inside.
- Latchbolt automatically deadlocks on closing the door.
- Hold back facility in forend to hold the bolt in the case (not on 3610).



- Suitable for most aluminium doors.
- Operated by round screw-in cylinder.
- Swingbolt provides robust security for single leaf swinging doors.



	3220	3200	3600	4101
<b>Security Features</b>				
Protected Section	O	O	O	O
Drill Resistant				
Saw Resistant	●	●		
Force Resistant	●	●	●	
Pick Resistant	n/a	n/a	n/a	n/a
Escape				
Key Control	A, B	A, B	A, B	A, B
Guarantee	10	10	10	10

	3220	3200	3600	4101
<b>Security Features</b>				
Locking Mechanism	DB	L, DB	D/L L	D/L L
Bolt Through Fixings	●	●, ▲		
Deadlocking Internal	Key/Turn	Key/Turn	Auto	Auto
Deadlocking External	Key	Key	Auto	Auto

<b>Door Specification</b>				
Case Size (mm)	64/76mm	64/76mm	76mm	41.4/45mm
Backset (mm)	45/57mm	45/57mm	57mm	24.6/28.6mm
Centres (mm)	n/a	48mm	48mm	n/a

<b>Finishes</b>				
Brass	●	●	●	●
Satin	●	●	●	●
Other				

# Cylinder Mortice Locks

## Narrow Stile

Yale 4102	Yale 4103
<ul style="list-style-type: none"> <li>Suitable for most aluminium doors.</li> <li>Operated by round screw-in cylinder.</li> <li>Hookbolt provides robust security for sliding glass doors.</li> </ul>	<ul style="list-style-type: none"> <li>Suitable for most aluminium doors.</li> <li>Operated by round screw-in cylinder.</li> <li>Nightlatch facility provides security and access control.</li> <li>Latchbolt automatically deadlocks on closing the door.</li> <li>Latchbolt can be held back by a reverse turn of the key.</li> </ul>

## Narrow Stile Lock Accessories

Yale 4170 Thumbturn Cylinder	Yale 4176 Nightlatch Strike Plate	Yale Forends
<ul style="list-style-type: none"> <li>Satin Chrome Plate Finish.</li> </ul>	<ul style="list-style-type: none"> <li>For use with 4103.</li> <li>Satin Chrome Plate Finish.</li> </ul>	<ul style="list-style-type: none"> <li>Choice of 3 variants available:                             <ul style="list-style-type: none"> <li>- Flat.</li> <li>- Radius.</li> <li>- Radius with weatherstrip.</li> </ul> </li> <li>Satin Chrome Plate Finish.</li> </ul>

	4102	4103
<b>Security Features</b>		
Protected Section	O	O
Drill Resistant		
Saw Resistant		
Force Resistant		
Pick Resistant	n/a	n/a
Escape		
Key Control	A, B	A, B
Guarantee	10	10
<b>Security Features</b>		
Locking Mechanism	DB	D/L L
Bolt Through Fixings		
Deadlocking Internal	Key/Turn	Auto
Deadlocking External	Key	Auto
<b>Door Specification</b>		
Case Size (mm)	41.4/45mm	41.4/45mm
Backset (mm)	24.6/28.6mm	24.6/28.6mm
Centres (mm)	n/a	n/a
<b>Finishes</b>		
Brass		
Satin	●	●
Other		



# Architectural Mortise Locks

Passage



**Yale** 4701 Page M14

Dormitory



**Yale** 4722 Page M14

Privacy



**Yale** 4702 Page M14

Entrance



**Yale** 4707 Page M14

Classroom



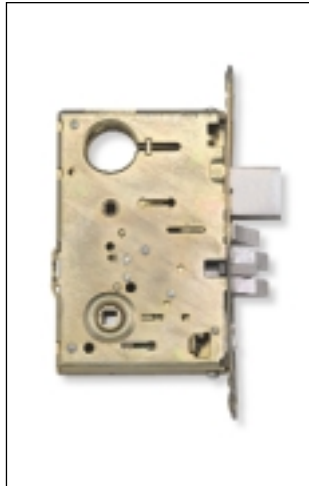
**Yale** 4708 Page M15

Storeroom



**Yale** 4705 Page M15

Apartment



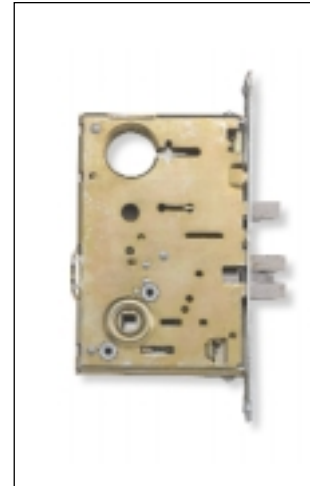
**Yale** 4747 Page M15

Deadlock



**Yale** 4714 Page M15

Exit Lock



**Yale** 4728 Page M16



**Yale** 4733 Page M16

Product Benefits

- Heavy duty architectural steel case.
- Conforms to ANSI A156.13 Series 1000, Operational Grade 1.
- UL listed for application on labelled fire doors.
- 2 piece anti-friction stainless steel latchbolt, with 16mm throw. Spreads the wear and extends life expectancy.
- 25mm throw stainless steel deadbolt with 2 hardened steel rollers.
- 8mm diameter square spindle. Heavy duty compression spring to restrict lever sag.
- Takes 6-pin masterkeyable screw-in cylinder.



**Yale** Architectural Mortice

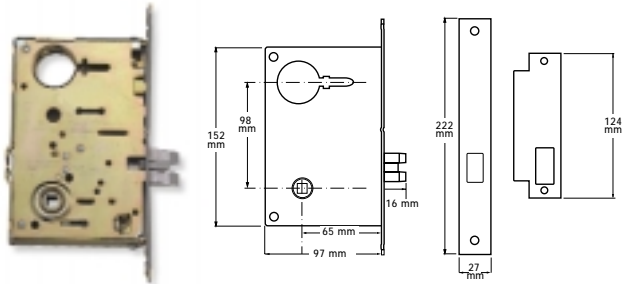
	Security Features								Security Features				Door Specification			Finishes		
	Protected Section	Drill Resistant	Saw Resistant	Force Resistant	Pick Resistant	Escape	Key Control	Guarantee	Locking Mechanism	Bolt Through Fixings	Deadlocking Internal	Deadlocking External	Case Size	Back Set	Centres	Brass	Satin	Other
<i>4701 Passage Latch</i>	O			O	n/a		A, B	10	L	●			97mm	65mm	98mm	●	●	
<i>4722 Dormitory Lock</i>	O	●		O	n/a	●	A, B	10	L, DB	●	Turn	Key	97mm	65mm	98mm	●	●	
<i>4702 Privacy Lock</i>	O	●		O	n/a		A, B	10	L, DB	●	Turn		97mm	65mm	98mm	●	●	
<i>4707 Entrance Lock</i>	O			O	n/a		A, B	10	D/L L	●	Auto	Auto	97mm	65mm	98mm	●	●	
<i>4708 Classroom Lock</i>	O			O	n/a		A, B	10	D/L L	●	Auto	Auto	97mm	65mm	98mm	●	●	
<i>4705 Storeroom Lock</i>	O			O	n/a		A, B	10	D/L L	●	Auto	Auto	97mm	65mm	98mm	●	●	
<i>4747 Apartment Lock</i>	O	●		O	n/a	●	A, B	10	D/L L, DB	●	Auto	Auto	97mm	65mm	98mm	●	●	
<i>4714 Deadlock</i>	O	●		O	n/a		A, B	10	DB	●	Key/Turn	Key	97mm	65mm	n/a	●	●	
<i>4728 Exit Lock</i>	O			O	n/a		A, B	10	D/L L	●	Auto	Auto	97mm	65mm	98mm	●	●	
<i>4733 Exit Lock</i>	O			O	n/a		A, B	10	D/L L	●	Auto	Auto	97mm	65mm	98mm	●	●	

# Architectural Mortice Locks

## Architectural

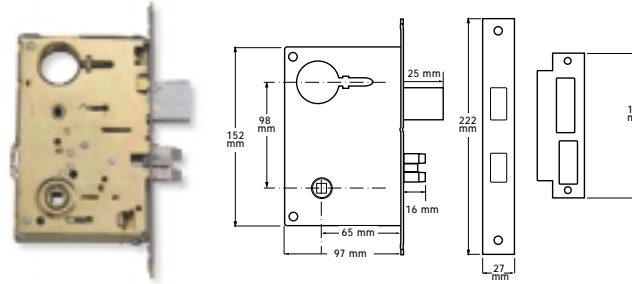
### Yale 4701 Passage Lock

- Suitable for passage doors that do not require locking.
- Latchbolt operated by lever handle from either side of the door.



### Yale 4722 Dormitory Lock

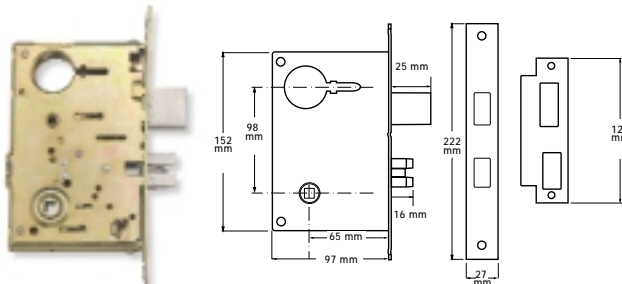
- Suitable for dormitory doors where single action escape is required.
- Latchbolt operated by handle from either side of the door.
- Deadbolt operated by key from outside, thumbturn on inside.
- When the deadbolt is projected, the outside handle is automatically held rigid.



## Architectural

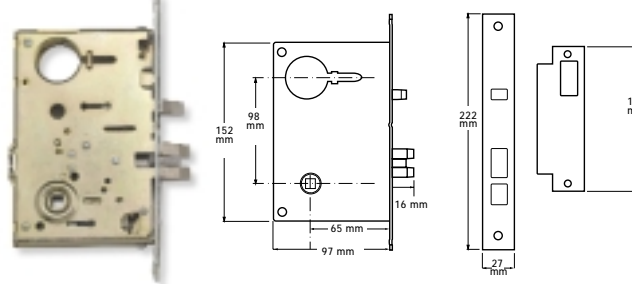
### Yale 4702 Privacy Lock

- Suitable for bathroom and privacy doors where single action escape is required.
- Latchbolt operated by handle from either side of the door.
- Deadbolt operated by thumbturn from inside.
- When the deadbolt is projected, the outside handle is automatically held rigid.



### Yale 4707 Entrance Lock

- Suitable for entrance or office doors that require locking.
- Latchbolt operated by handle from either side of the door.
- Operation of the toggle switch enables the latchbolt to be operated by the key from outside. This locks the outside handle.



	4701	4722	4702	4707
<b>Security Features</b>				
Protected Section	O	O	O	O
Drill Resistant				
Saw Resistant		●	●	
Force Resistant	O	O	O	O
Pick Resistant	n/a	n/a	n/a	n/a
Escape		●		
Key Control	A, B	A, B	A, B	A, B
Guarantee	10	10	10	10

	4701	4722	4702	4707
<b>Security Features</b>				
Locking Mechanism	L	L, DB	L, DB	D/L L
Bolt Through Fixings	●	●	●	●
Deadlocking Internal		Turn	Turn	Auto
Deadlocking External		Key		Auto

<b>Door Specification</b>				
Case Size (mm)	97mm	97mm	97mm	97mm
Backset (mm)	65mm	65mm	65mm	65mm
Centres (mm)	98mm	98mm	98mm	98mm

<b>Finishes</b>				
Brass	●	●	●	●
Satin	●	●	●	●
Other				

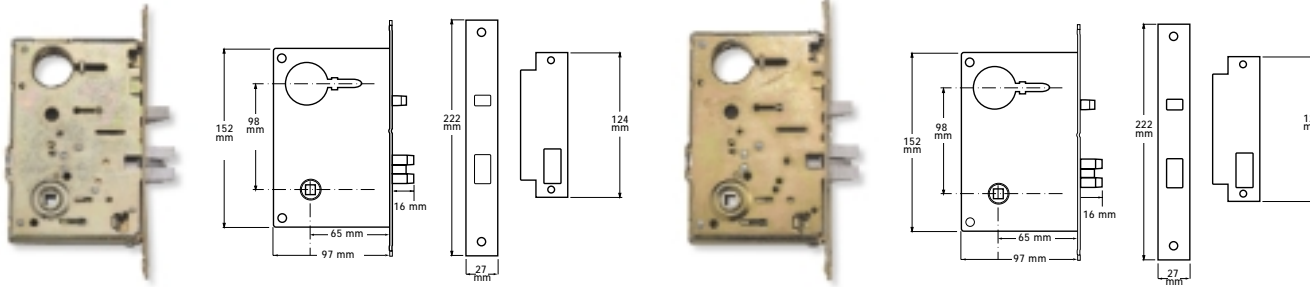
# Architectural Mortice Locks

## Architectural

<b>Yale</b> 4708 Classroom Lock	<b>Yale</b> 4705 Storeroom Lock
---------------------------------	---------------------------------

- Suitable for classroom, office or utility room doors.
- Auto deadlocking latchbolt operated by handle from either side of the door.
- Latchbolt operated from outside by key when handle set by key.

- Suitable for storeroom, utility and exit doors.
- Auto deadlocking latchbolt operated by key from outside and handle inside.
- Outside handle always held rigid.

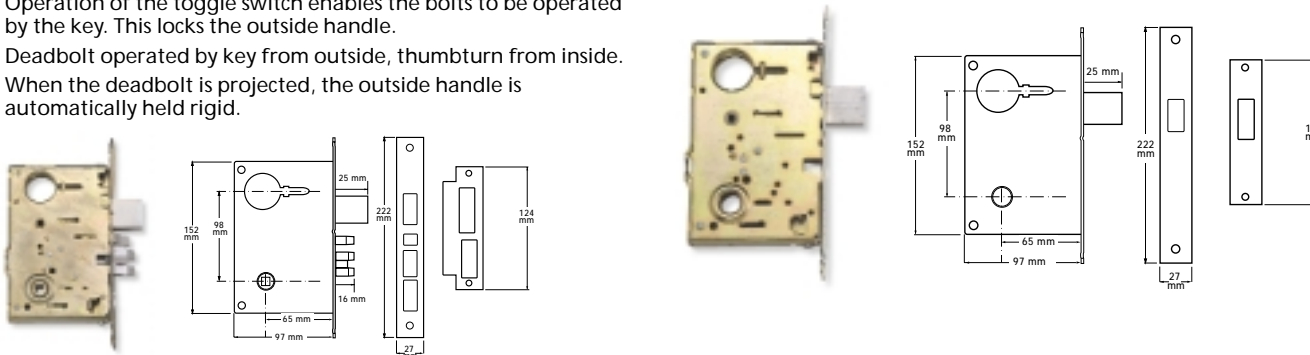


## Architectural

<b>Yale</b> 4747 Apartment Lock	<b>Yale</b> 4714 Deadlock
---------------------------------	---------------------------

- Suitable for apartment or entrance doors where single action escape is required.
- Auto deadlocking latchbolt operated by handle from either side of the door.
- Operation of the toggle switch enables the bolts to be operated by the key. This locks the outside handle.
- Deadbolt operated by key from outside, thumbturn from inside.
- When the deadbolt is projected, the outside handle is automatically held rigid.

- Suitable for doors not requiring a latching function.
- Deadbolt operation only. Operated by key from outside and key, thumbturn or no operation from inside.



		4708	4705	4747	4714
<b>Security Features</b>					
	Protected Section	○	○	○	○
	Drill Resistant				
	Saw Resistant			●	●
	Force Resistant	○	○	○	○
	Pick Resistant	n/a	n/a	n/a	n/a
	Escape			●	
	Key Control	A, B	A, B	A, B	A, B
	Guarantee	10	10	10	10

<b>Security Features</b>				
Locking Mechanism	D/L L	D/L L	D/L L, DB	DB
Bolt Through Fixings	●	●	●	●
Deadlocking Internal	Auto	Auto	Auto	Key/Turn
Deadlocking External	Auto	Auto	Auto	Key

<b>Door Specification</b>				
Case Size (mm)	97mm	97mm	97mm	97mm
Backset (mm)	65mm	65mm	65mm	65mm
Centres (mm)	98mm	98mm	98mm	n/a

<b>Finishes</b>				
	●	●	●	●
	●	●	●	●



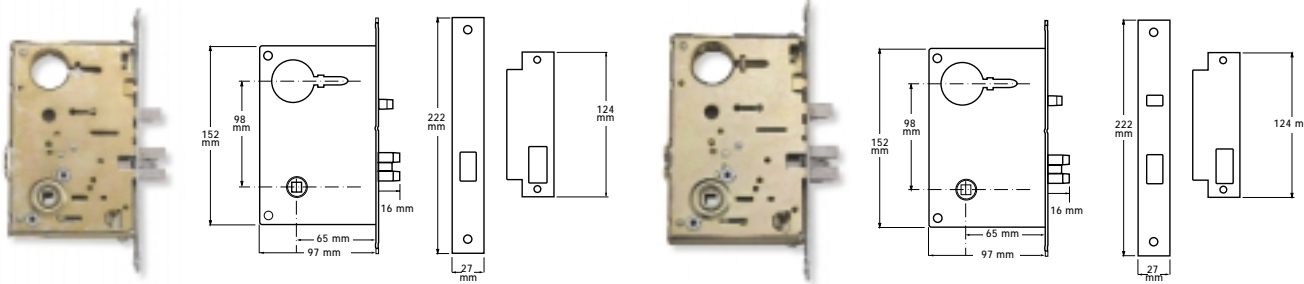
# Architectural Mortice Locks

## Architectural

<b>Yale</b> 4728 Exit Lock	<b>Yale</b> 4733 Exit Lock
----------------------------	----------------------------

- Suitable for twin communicating or exit doors where one side operation is required.
- Auto deadlocking latchbolt operated by handle from inside.
- No outside operation.

- Suitable for general doors.
- Auto deadlocking latchbolt operated by key from outside, handle inside.
- Option of key both sides, or no handle either side.



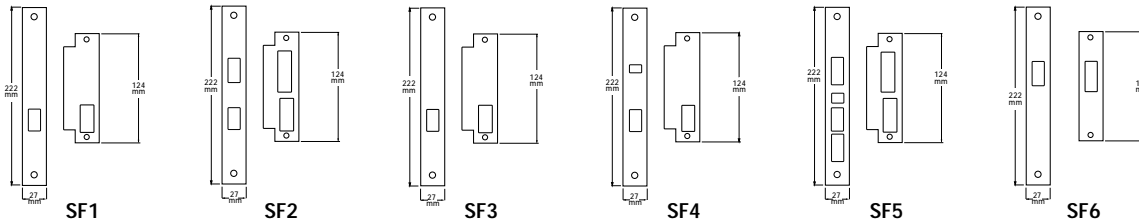
		4728	4733
<b>Security Features</b>			
	Protected Section	○	○
	Drill Resistant		
	Saw Resistant		
	Force Resistant	○	○
	Pick Resistant	n/a	n/a
	Escape		
	Key Control	A, B	A, B
	Guarantee	10	10

## Architectural

<b>Yale</b> 4700 Series Forends and Strike Plates	<b>Yale</b> 1144 Architectural Mortice Cylinder
---	---

- When ordering the lock case always ensure the relevant forend and strike plate is also ordered at the same time.

- Flush fitting screw cylinder for use on 4700 Series.
- 6 pin mechanism, masterkeyable. See Cylinder section for details.



Code	SF1	SF2	SF3	SF4	SF5	SF6
For use with	4701 4702	4722	4707 4705 4728 4733	4708	4747	4714

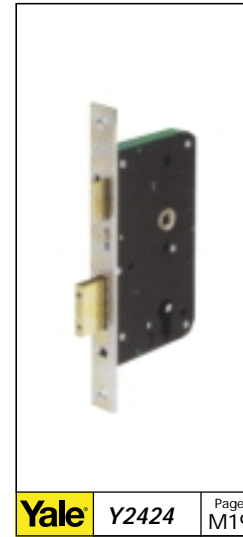
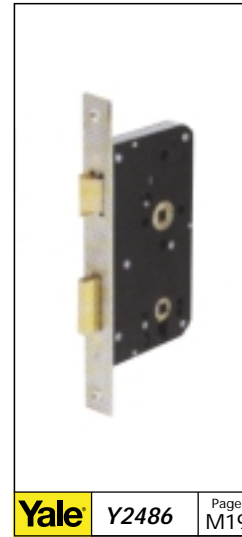
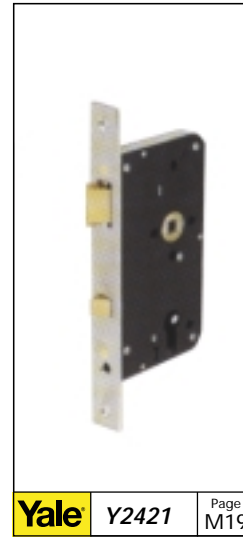
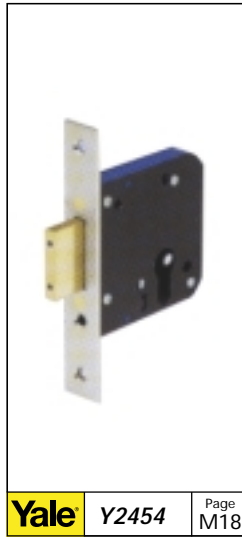
Security Features			
Locking Mechanism	D/L L	D/L L	
Bolt Through Fixings	●	●	
Deadlocking Internal	Auto	Auto	
Deadlocking External	Auto	Auto	
<b>Door Specification</b>			
Case Size (mm)	97mm	97mm	
Backset (mm)	65mm	65mm	
Centres (mm)	98mm	98mm	
<b>Finishes</b>			
Brass	●	●	
Satin	●	●	
Other			



# Architectural Cylinder Mortice Locks



## Architectural Case Only



## Yale® Mortice Locks

### Yale Architectural Case



Model	Protected Section	Drill Resistant	Saw Resistant	Force Resistant	Pick Resistant	Escape	Key Control	Guarantee
Y2422 Sashlock	O	●	●					10
Y2454 Deadlock	O	●	●					10
Y2420 Sashlock	O							10
Y2455 Deadlock	O							10
Y2465 Latch	O							10
Y2421 Deadlocking Latch	O							10
Y2486 Bathroom Lock								10
Y2424 Escape Lock	O		●		●			10

### Security Features

Locking Mechanism	Bolt Through Fixings	Deadlocking Internal	Deadlocking External
L, DB	●▲	Key/Turn	Key
DB	▲	Key/Turn	Key
L, DB	●▲	Key/Turn	Key
DB	▲	Key/Turn	Key
L	●		
DL/L	●▲	Auto	Auto
L, DB	●	Turn	
L, DB	●▲	Key/Turn	Key

### Door Specification

Case Size	Back Set	Centres
92mm	60mm	72mm
92mm	60mm	
92mm	60mm	72mm
92mm	60mm	
92mm	60mm	72mm
92mm	60mm	72mm
92mm	60mm	
92mm	60mm	72mm

### Finishes

Brass	Satin	Other
		●
		●
		●
		●
		●
		●
		●
		●
		●

Key: Protected Section - O = Optional Locking Mechanism - L = Latchbolt, DL/L = Deadlocking Latch, DB = Deadbolt

Bolt Through Fixings - ● = Handles, ▲ = Security Rose

# Architectural Cylinder Mortice Locks

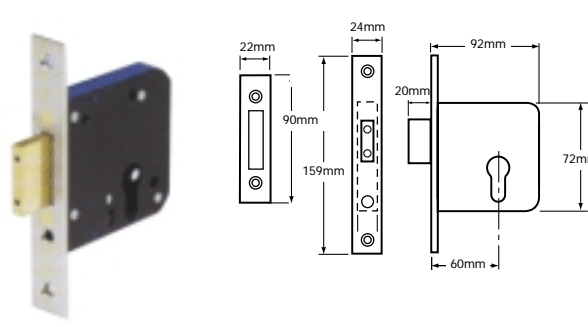
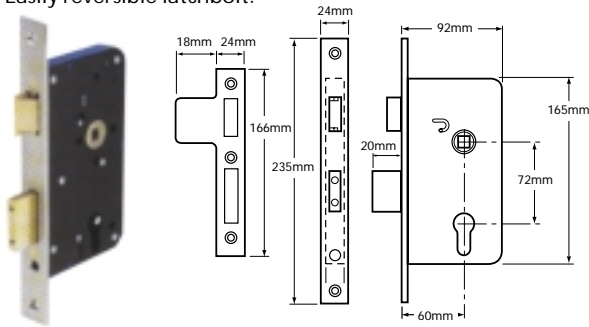


## Security Case Only

**Yale** Y2422 Sashlock *NEW* **Yale** Y2454 Deadlock *NEW*

- European size 72mm centres mortice lock case which accommodates most euro-profile cylinders.
- Key and handle operation from both sides of the door. Latchbolt operated by key.
- Extra long deadbolt with 20mm throw.
- Easily reversible latchbolt.

- European size mortice lock case which accommodates most europrofile cylinders.
- Key operation from both sides of the door.
- Extra long deadbolt with 20mm throw.

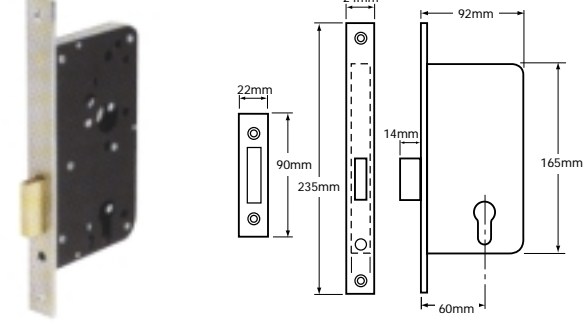
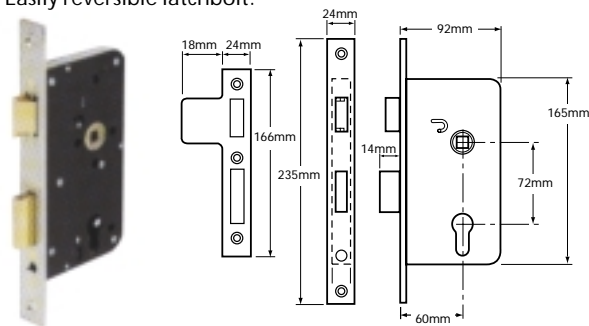


## Standard Case Only

**Yale** Y2420 Sashlock *NEW* **Yale** Y2455 Deadlock *NEW*

- European size 72mm centres mortice lock case which accommodates most euro-profile cylinders.
- Key and handle operation from both sides of the door. Latchbolt operated by key.
- 14mm throw deadbolt.
- Easily reversible latchbolt.

- European size mortice lock case which accommodates most europrofile cylinders.
- Key operation from both sides of the door.
- 14mm throw deadbolt



	Y2422	Y2454	Y2420	Y2455
<b>Security Features</b>				
Protected Section	○	○	○	○
Drill Resistant	●	●		
Saw Resistant	●	●		
Force Resistant				
Pick Resistant				
Escape				
Key Control				
Guarantee	10	10	10	10
<b>Security Features</b>				
Locking Mechanism	L, DB	DB	L, DB	DB
Bolt Through Fixings	●▲	▲	●▲	▲
Deadlocking Internal	Key/Turn	Key/Turn	Key/Turn	Key/Turn
Deadlocking External	Key	Key	Key	Key
<b>Door Specification</b>				
Case Size (mm)	92	92	92	92
Backset (mm)	60	60	60	60
Centres (mm)	72		72	
<b>Finishes</b>				
Brass				
Satin	●	●	●	●
Other				

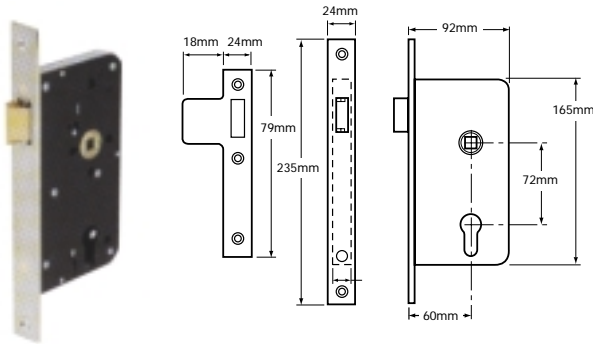
# Architectural Cylinder Mortice Locks



## Standard Case Only

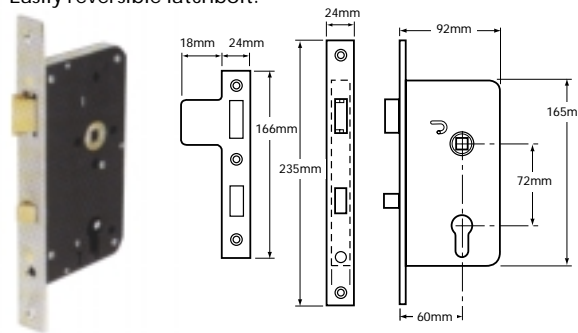
### Yale Y2465 Mortice Latch NEW

- European size 72mm centres mortice lock case which accommodates most euro-profile cylinders.
- Handle operation from both sides of the door.
- Easily reversible latchbolt.



### Yale Y2421 Deadlocking Latch NEW

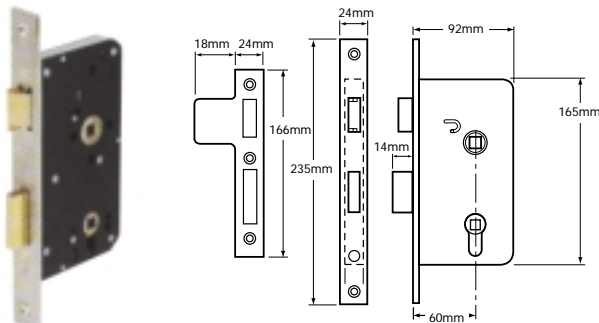
- European size 72mm centres mortice lock case which accommodates most euro-profile cylinders.
- Key and handle operation from both sides of the door. Latchbolt operated by key.
- Autodeadlocking latch, everytime the door is closed it is locked.
- Easily reversible latchbolt.



## Standard Case Only

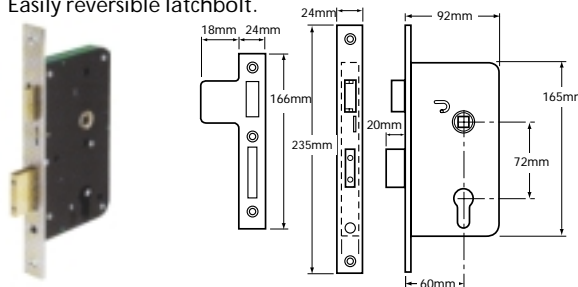
### Yale Y2486 Bathroom Lock NEW

- European size 72mm centres mortice lock case.
- Handle operation from both sides of the door.
- Easily reversible latchbolt.



### Yale Y2424 Escape Lock NEW

- European size 72mm centres mortice lock case which accommodates most euro-profile cylinders.
- Key and handle operation from both sides of the door. Latchbolt operated by key.
- Extra long deadbolt with 20mm throw.
- Single action escape action. One downwards movement of the handle withdraws both the bolts simultaneously.
- Easily reversible latchbolt.



	Y2465	Y2421	Y2486	Y2424
<b>Security Features</b>				
Protected Section	○	○		○
Drill Resistant				
Saw Resistant				●
Force Resistant				
Pick Resistant				
Escape				●
Key Control				
Guarantee	10	10	10	10
<b>Security Features</b>				
Locking Mechanism	L	DL/L	L, DB	L, DB
Bolt Through Fixings	●	●▲	●	●▲
Deadlocking Internal		Auto	Turn	Key/Turn
Deadlocking External		Auto		Key
<b>Door Specification</b>				
Case Size (mm)	92	92	92	92
Backset (mm)	60	60	60	60
Centres (mm)	72	72		72
<b>Finishes</b>				
Brass				
Satin	●	●	●	●
Other				